

SINGER
2300/2500/2440/3314/3317/3343

LIST OF PARTS

SEWING MACHINE SERIES

2300

Same as:
2440

&

2500

→ Same as:
3314
3317
3343

by SINGER*

© THE SINGER COMPANY
1991 SINGER DO BRASIL
ALL RIGHTS RESERVED

* REGISTERED TRADEMARK

PRINTED IN BRAZIL

356887-001

2300 & 2500 SERIES
REVISION RECORD

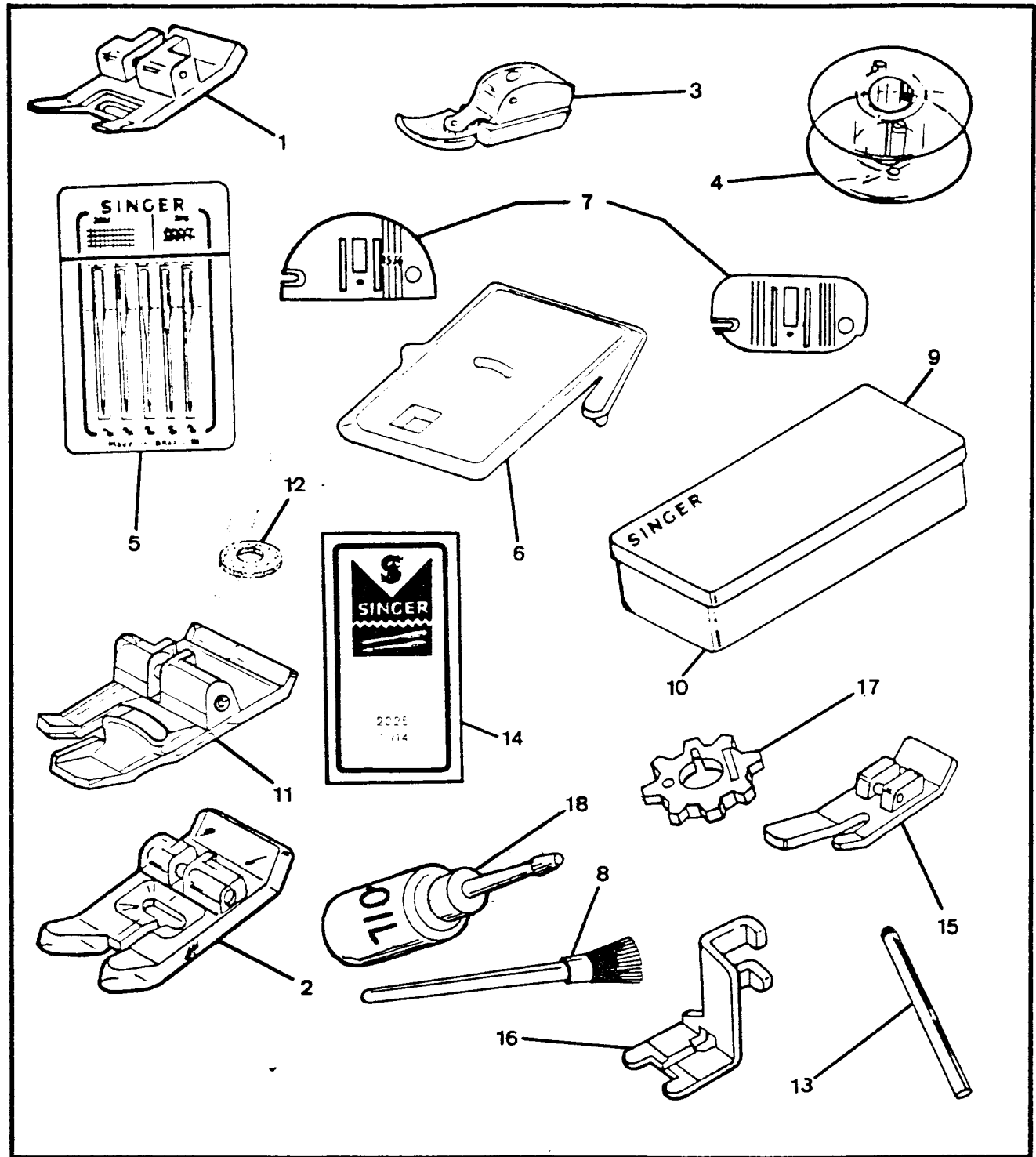
REV.	DESCRIPTION	APPROVAL AND DATE
1	NUMEROUS CHANGES	11/17/92
2	COLLOR CHANGING FROM LIGHT BUFF TO SNOW WHITE EFFECTIVE DATE: FEB. 1993	

INDEX

PAGE NBR	SUB-ASSEMBLY
01 - 04	ATTACHMENT SET
05 - 08	ARM, BED, THROAT PLATE & BED SLIDE
09 - 10	ARM TOP COVER
11 - 14	COVERS & ADD-ONS
15 - 16	NEEDLE BAR
17 - 18	PRESSER BAR
19 - 22	ARM SHAFT DRIVE
23 - 24	HAND WHEEL
25 - 26	TENSION
27 - 28	ROTATING HOOK
29 - 30	BIGHT AMPLITUDE
31 - 32	NEEDLE POSITION
33 - 34	CAM STACK
35 - 36	FEED REGULATOR CAM
37 - 38	BUTTONHOLER & FEED REGULATOR CAM
39 - 42	FEED SYSTEM
43 - 47	ELECTRICAL EQUIPMENT

From the library of: Diamond Needle Corp

ATTACHMENT SET



From the library of: Diamond Needle Corp

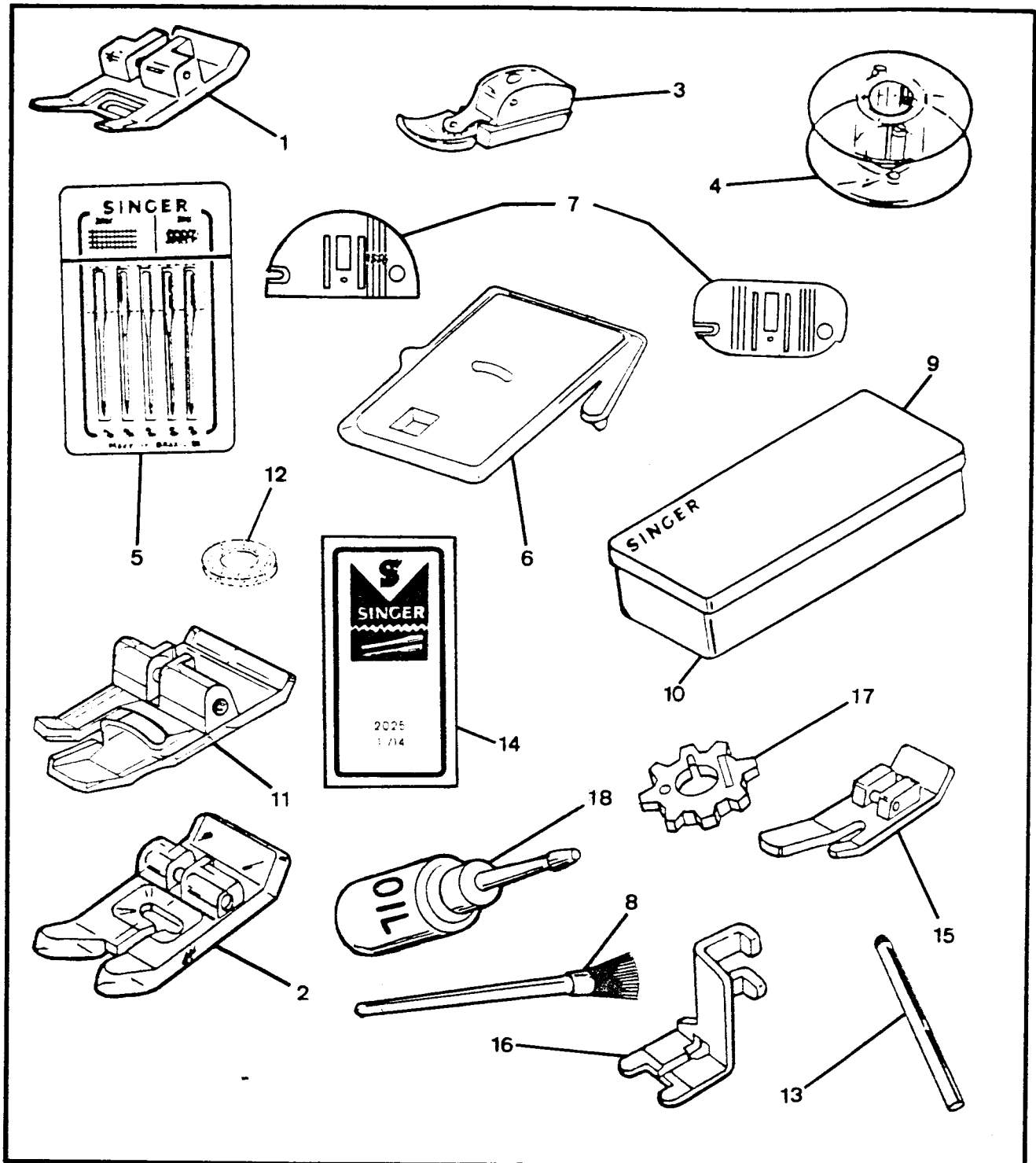
PART LIST
ATTACHMENT SET

REF.	PART NBR	DESCRIPTION	2	2	2	2	2	2	2	2	2	2
			3	5	3	5	3	5	3	5	3	5
			0	0	0	0	0	0	1	1	3	3
			2	2	3	3	4	4	5	5	0	0
01	446492-451	SPECIAL PURPOSE PRESSER FOOT PLATE	0	0	0	0	0	0	X	X	X	X
02	161927	BUTTONHOLER PRESSER FOOT	0	0	0	0	X	X	X	X	X	X
03	507836	ZIPPER & CORDING PRESSER FOOT	0	0	0	0	0	0	X	X	X	X
04	172336	BOBBIN (PLASTIC)	X	X	X	X	X	X	X	X	X	X
05	353364	NEEDLE PACK	X	X	X	X	X	X	X	X	X	X
06	313117	FEED COVER PLATE (PLASTIC)		X		X		X		X		X
06	381495	FEED COVER PLATE (PLASTIC)	X		X		X		X		X	
07	313066	THROAT PLATE STRAIGHT STITCH		0		0		0		0		X
07	531664	THROAT PLATE STRAIGHT STITCH	0		0		0		0		X	
08	501750	LINT BRUSH	0	0	0	0	0	0	0	0	0	0
09	446149-458	ATTACHMENT BOX COVER (PLASTIC)	X	X	X	X	X	X	X	X		
09	381287-454	ATTACHMENT BOX COVER (PLASTIC)									X	X
10	446148-456	ATTACHMENT BOX BASE (PLASTIC)	X	X	X	X	X	X	X	X		
10	381286-454	ATTACHMENT BOX BASE (PLASTIC)									X	X
11	356630	BLIND STITCH PRESSER FOOT			X	X	X	X	X	X	X	X
12	8879-455	ARM SPOOL PIN WASHER (FELT)	X	X	X	X	X	X	X	X	X	X
12	8879-455	ARM SPOOL PIN WASHER (FELT) FOR TWIN NEEDLE	0	0	0	0	0	0	X	X	X	X
13	356942	ARM TOP COVER SPOOL PIN (PLASTIC)	X	X	X	X	X	X	X	X	X	X
13	356942	ARM TOP COVER SPOOL PIN (PLASTIC) FOR TWIN NEEDLE	0	0	0	0	0	0	0	0	0	0
14	531868	NEEDLE PACK WITH 1 NEEDLE 2025-14	0	0	0	0	0	0	X	X	X	X
15	153267	PRESSER FOOT PLATE FOR STRAIGHT STITCH	0	0	0	0	0	0	0	0	X	X
16	179911	PRESSER FOOT FOR SEWING ON BUTTON	0	0	0	0	0	0	X	X	X	X

O = OPTIONAL PARTS

From the library of: Diana M. Neoda Cox

ATTACHMENT SET



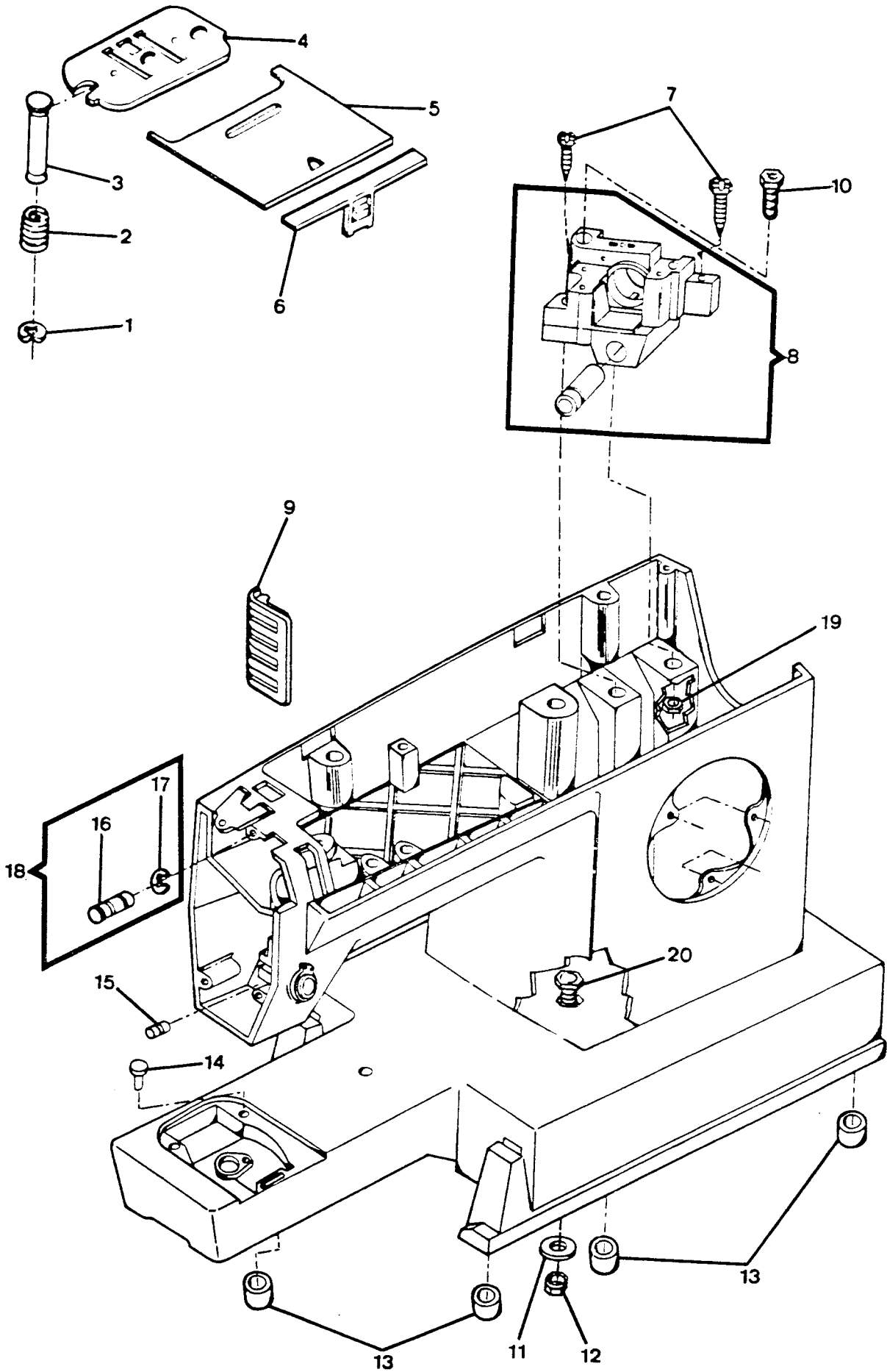
From the library of: Diamond Needle Corp

PART LIST
ATTACHMENT SET (CONT.)

REF.	PART NBR	DESCRIPTION	2	2	2	2	2	2	2	2	2	2
			3	5	3	5	3	5	3	5	3	5
			0	0	0	0	0	0	1	1	3	3
			2	2	3	3	4	4	5	5	0	0
17	276302	DISC NBR 2 (MULTI ZIG-ZAG STITCH)							X	X	X	X
17	276304	DISC NBR 4 (SCALLOP STITCH)									X	X
17	276305	DISC NBR 5 (ARROWHEAD STITCH)							X	X	X	X
17	276306	DISC NBR 6 (DOMINO STITCH)							X	X	X	X
17	276307	DISC NBR 7 (SHELL STITCH)							X	X	X	X
17	276309	DISC NBR 9 (ICICLE STITCH)									X	X
17	276310	DISC NBR 10 (BANNER STITCH)							X	X	X	X
17	276311	DISC NBR 11 (KEY STITCH)									X	X
17	276312	DISC NBR 12 (WALLS OF TROY STITCH)							X	X	X	X
17	276313	DISC NBR 13 (DIAMOND STITCH)							X	X	X	X
17	276314	DISC NBR 14 (ZIG-ZAG POINTS STITCH)									X	X
17	276315	DISC NBR 15 (LONG OBLIQUE STITCH)									X	X
17	276316	DISC NBR 16 (SHINGLE STITCH)									X	X
17	276317	DISC NBR 17 (PENNYANT STITCH)									X	X
17	276318	DISC NBR 18 (THREE STEP STITCH)									X	X
17	276319	DISC NBR 19 (BALL STITCH)									X	X
17	276320	DISC NBR 20 (CURVE MENDING STITCH)									X	X
17	276322	DISC NBR 22 (SEMAPHORE STITCH)									X	X
17	276323	DISC NBR 23 (SOLID PYRAMID STITCH)									X	X
17	276325	DISC NBR 25 (SPINY STITCH)									X	X
17	276326	DISC NBR 26 (BLOCK STITCH)							X	X	X	X
17	276327	DISC NBR 27 (FAGOTING STITCH)									X	X
17	276328	DISC NBR 28 (COMB STITCH)							X	X	X	X
17	276329	DISC NBR 29 (PAVILLON STITCH)									X	X
17	276330	DISC NBR 30 (PLATFORM STITCH)									X	X
17	276337	DISC NBR 37 (ALPINE STITCH)									X	X
17	171340	DISC NBR 3/350 (BLIND STITCH)							X	X	X	X
17	171342	DISC NBR 8/352 (SOLID SCALLOP STITCH)			X	X	X	X	X	X	X	X
17	171341	DISC NBR 31/351 (CRESCENT STITCH)							X	X	X	X
18	357004-001	OIL CONTAINER	0	0	0	0	0	0	0	0	0	0

0 = OPTIONAL PARTS

ARM, BED, THROAT PLATE & BED SLIDE



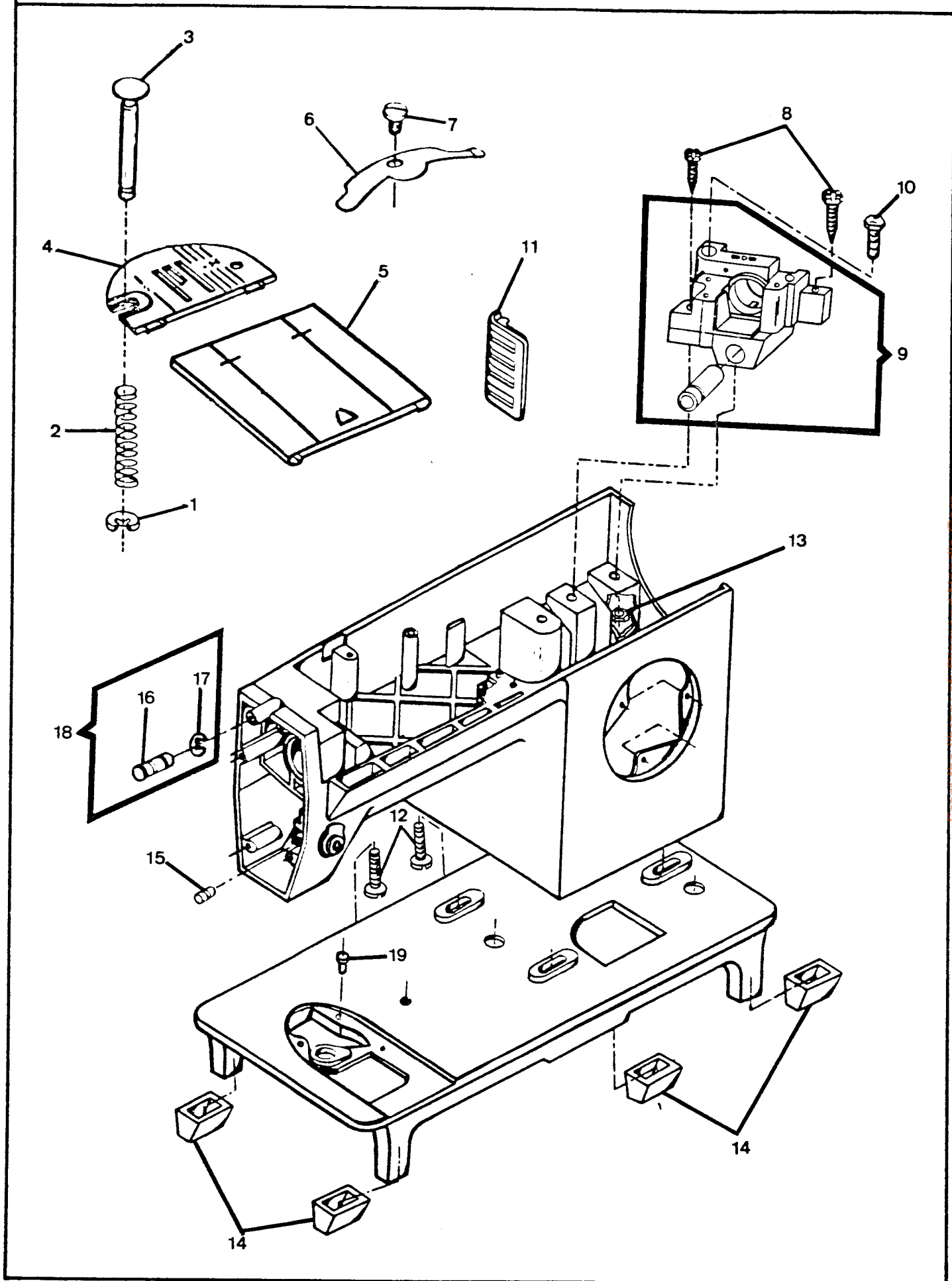
From the library of: Diamond Needle Corp

PART LIST
ARM, BED, THROAT PLATE & BED SLIDE

REF.	PART NBR	DESCRIPTION	2	2	2	2	2	2	2	2	2	2
			3	5	3	5	3	5	3	5	3	5
			0	0	0	0	0	0	1	1	3	3
			2	2	3	3	4	4	5	5	0	0
01	179926	THROAT PLATE CLAMP SPRING RETAINING RING	X	X			X		X			X
02	353494	THROAT PLATE CLAMP SPRING	X	X			X		X			X
03	353597	THROAT PLATE CLAMP	X	X			X		X			X
04	312777	THROAT PLATE FOR ZIG-ZAG SEWING	X	X			X		X			X
05	446481	BED SLIDE	X	X			X		X			X
06	446482	BED SLIDE SPRING (SNAP-ON)	X	X			X		X			X
07	113455-006	ARM SHAFT (REAR) HOUSING MOUNTING SCREW	X	X			X		X			X
08	446347-002	ARM SHAFT (REAR) HOUSING ASSEMBLY	X	X			X		X			X
09	353360-45X	ARM INSERT MOTOR VENT GRILL	X	X			X		X			X
10	446349-451	ARM SHAFT (REAR) HOUSING MOUNTING BOLT	X	X			X		X			X
11	353375-451	ARM BED BOLT LOCK WASHER	X	X			X		X			X
12	514608	ARM BED MOUNTING BOLT	X	X			X		X			X
13	353559-451	BED CUSHION	X	X			X		X			X
14	353624	THROAT PLATE POSITION PIN	X	X			X		X			X
15	446358	TENSION RELEASING LEVER HINGE PIN	X	X			X		X			X
16	446375	THREAD TAKE-UP LEVER LINK HINGE STUD	X	X			X		X			X
17	353215	THREAD TAKE-UP LEVER LINK HINGE STUD RETAINING RING	X	X			X		X			X
18	353623	THREAD TAKE-UP LEVER LINK HINGE STUD WITH RING	X	X			X		X			X
19	514608	ARM SHAFT (REAR) HOUSING MOUNTING BOLT NUT	X	X			X		X			X
20	446346-451	BED (BOTTOM) COVER & CABINET BOLT	X	X			X		X			X

From the library of: Diamond Needle Corp

ARM, BED, THROAT PLATE & BED SLIDE



From the library of: Diamond Needle Corp

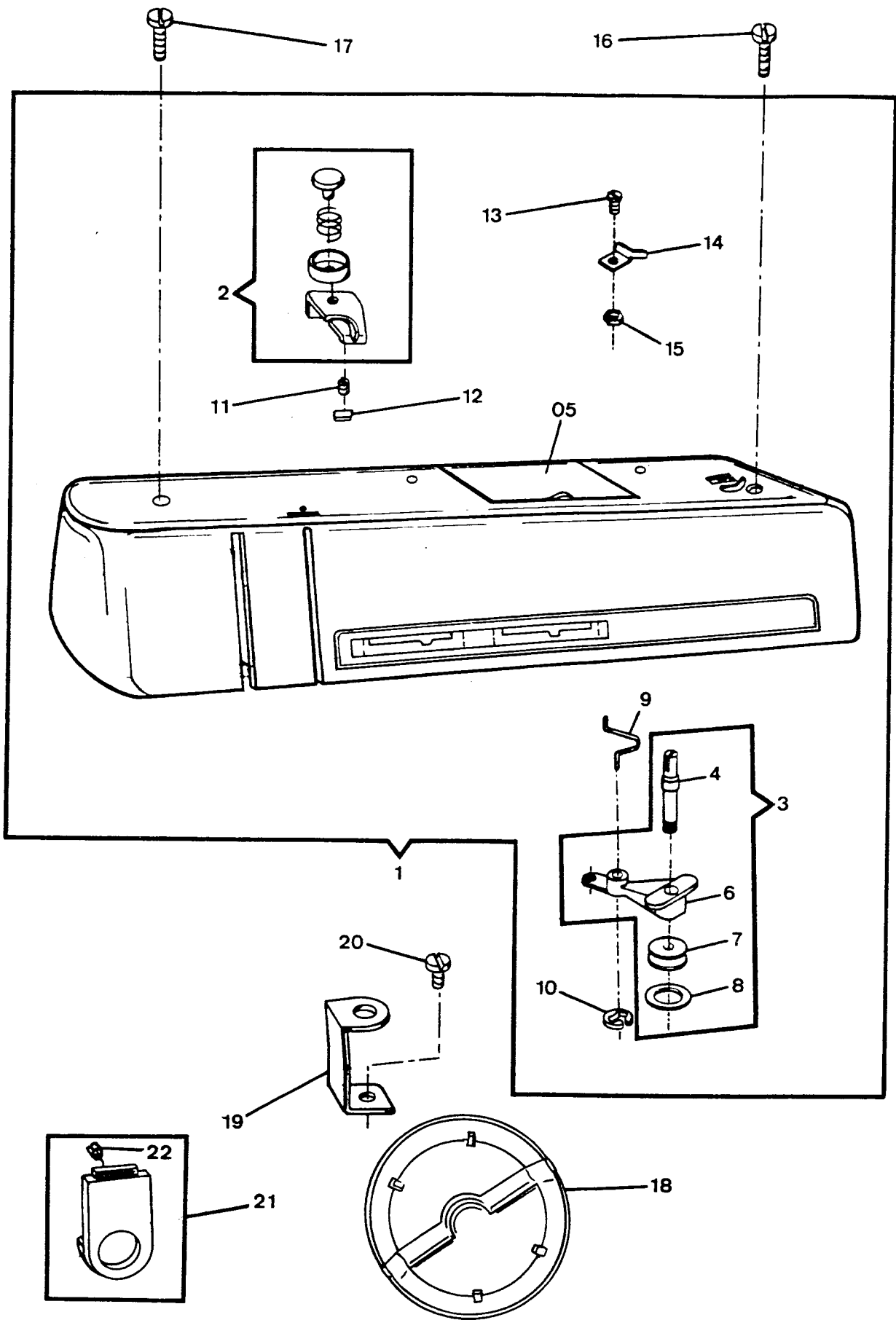
PART LIST
ARM, BED, THROAT PLATE & BED SLIDE

REF.	PART NBR	DESCRIPTION	2	2	2	2	2	2	2	2	2	
			3	5	3	5	3	5	3	5	3	5
			0	0	0	0	0	0	1	1	3	3
			2	2	3	3	4	4	5	5	0	0
01	445721	THROAT PLATE CLAMP SPRING RETAINING RING	X		X		X		X		X	
02	444889	THROAT PLATE CLAMP SPRING	X		X		X		X		X	
03	444888	THROAT PLATE CLAMP	X		X		X		X		X	
04	531663	THROAT PLATE	X		X		X		X		X	
05	446151	BED SLIDE	X		X		X		X		X	
06	37239	BED SLIDE SPRING	X		X		X		X		X	
07	354552-451	BED SLIDE SPRING SCREW	X		X		X		X		X	
08	113455-006	ARM SHAFT (REAR) HOUSING MOUNTING SCREW	X		X		X		X		X	
09	446347-001	ARM SHAFT (REAR) HOUSING ASSEMBLY	X		X		X		X		X	
10	446349-451	ARM SHAFT (REAR) HOUSING MOUNTING BOLT	X		X		X		X		X	
11	353360-45X	ARM INSERT (MOTOR VENT GRILL)	X		X		X		X		X	
12	354833-451	BED CONNECTION HINGE SCREW	X		X		X		X		X	
13	514608	ARM SHAFT (REAR) HOUSING MOUNTING BOLT NUT	X		X		X		X		X	
14	446154-451	UNDER BED COVER CUSHION	0		0		0		0		0	
15	446358	TENSION RELEASING LEVER HINGE PIN	X		X		X		X		X	
16	446375	THREAD TAKE-UP LEVER LINK HINGE STUD	X		X		X		X		X	
17	353215	THREAD TAKE-UP LEVER LINK HINGE STUD RETAINING RING	X		X		X		X		X	
18	353623	THREAD TAKE-UP LEVER LINK HINGE STUD WITH RING	X		X		X		X		X	
19	179943	THROAT PLATE POSITION PIN (PLASTIC)	X		X		X		X		X	

0 = OPTIONAL PARTS

From the library of: Diamond Needle Corp

ARM TOP COVER



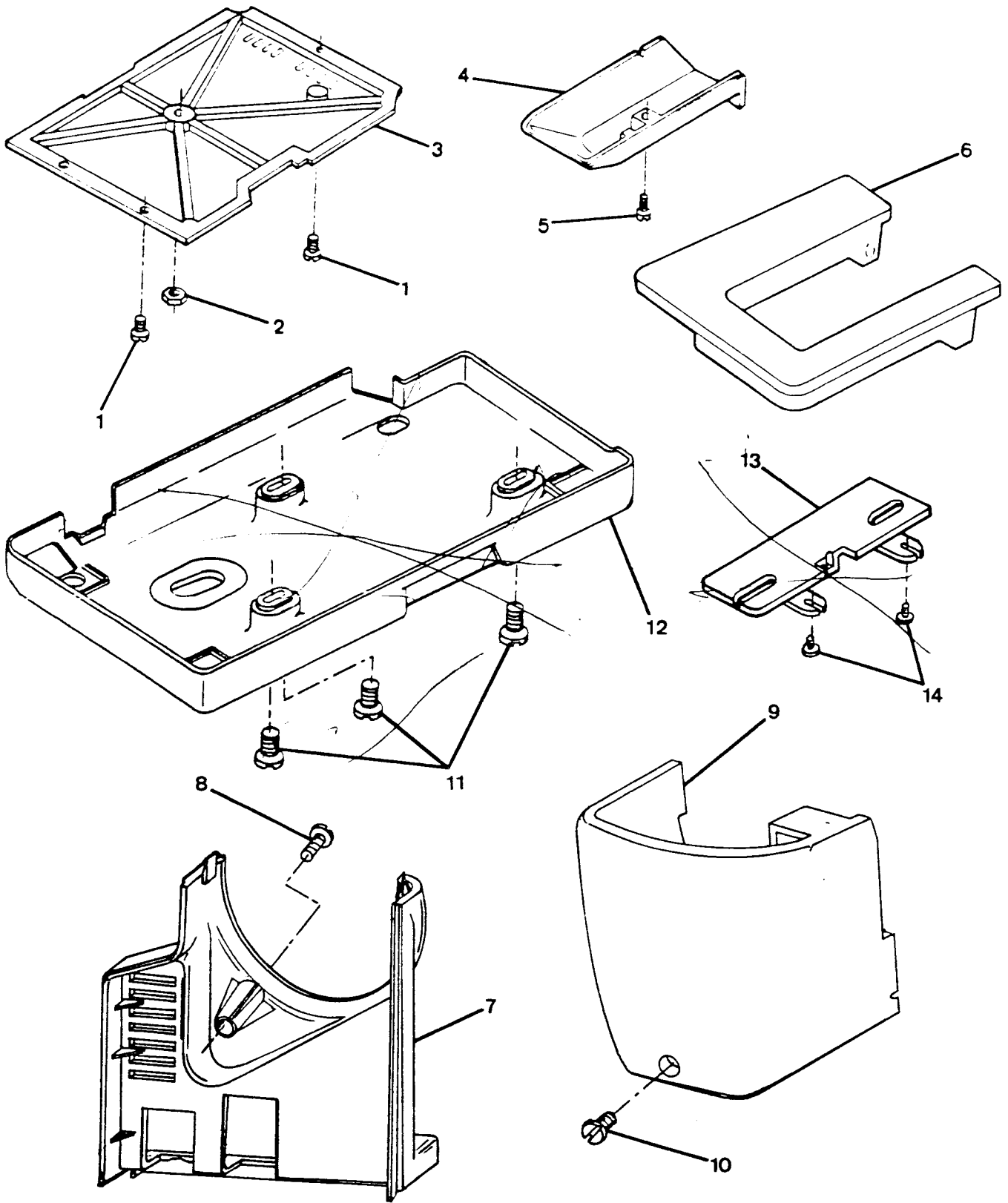
From the library of: Diamond Needle Corp

PART LIST
ARM TOP COVER

REF.	PART NBR	DESCRIPTION	2	2	2	2	2	2	2	2	2	2	2
			3	5	3	5	3	5	3	5	3	5	3
			0	0	0	0	0	0	1	1	3	3	
			2	2	3	3	4	4	5	5	0	0	
01	356827-024	ARM TOP COVER COMPLETE											
01	356827-025	ARM TOP COVER COMPLETE	X	X									
01	356827-026	ARM TOP COVER COMPLETE			X	X	X	X					
01	356827-027	ARM TOP COVER COMPLETE							X	X			
02	356047	BOBBIN WINDER TENSION COMPLETE											X X
03	531767-452	BOBBIN WINDER ASSEMBLY	X	X	X	X	X	X	X	X	X	X	X X
04	356913	BOBBIN WINDER SPINDLE COMPLETE	X	X	X	X	X	X	X	X	X	X	X X
05	356781-902	ARM TOP COVER LID	X	X	X	X	X	X	X	X	X	X	X X
06	531770-452	BOBBIN WINDER FRAME	X	X	X	X	X	X	X	X	X	X	X X
07	44440	BOBBIN WINDER PULLEY	X	X	X	X	X	X	X	X	X	X	X X
08	15287-701	BOBBIN WINDER FRICTION RING	X	X	X	X	X	X	X	X	X	X	X X
09	531766	BOBBIN WINDER HINGE STUD SPRING	X	X	X	X	X	X	X	X	X	X	X X
10	445486	BOBBIN WINDER RETAINING RING	X	X	X	X	X	X	X	X	X	X	X X
11	141936-833	BOBBIN WINDER TENSION BRACKET ADJUSTING SCREW	X	X	X	X	X	X	X	X	X	X	X X
12	44794	BOBBIN WINDER TENSION BRACKET ADJUSTING SCREW	X	X	X	X	X	X	X	X	X	X	X X
		RETAINING CLIP											
13	141920-453	BOBBIN WINDER STOP SCREW	X	X	X	X	X	X	X	X	X	X	X X
14	445924	BOBBIN WINDER STOP	X	X	X	X	X	X	X	X	X	X	X X
15	53640-819	BOBBIN WINDER STOP SCREW NUT	X	X	X	X	X	X	X	X	X	X	X X
16	354895-453	ARM TOP COVER MOUNTING SCREW (RIGHT)	X	X	X	X	X	X	X	X	X	X	X X
17	354895-453	ARM TOP COVER MOUNTING SCREW (LEFT)	X	X	X	X	X	X	X	X	X	X	X X
18	356789-901	ARM TOP COVER RECEPTACLE BOTTOM COVER	X	X									X X
19	531765	ARM TOP COVER MOUNTING BRACKET (RIGHT)	X	X	X	X	X	X	X	X	X	X	X X
20	113455-001	ARM TOP COVER MOUNTING BRACKET SCREW	X	X	X	X	X	X	X	X	X	X	X X
21	356843-454	ARM TOP COVER SHROUDER	X	X	X	X	X	X	X	X	X	X	X X
22	356127	ARM TOP COVER SHROUDED RETAINING RING	X	X	X	X	X	X	X	X	X	X	X X

From the library of: Diamond Needle Corp

COVERS & ADD-ONS



From the library of: Diamond Needle Corp

PART LIST
COVERS & ADD-ONS

REF.	PART NBR	DESCRIPTION	2	2	2	2	2	2	2	2	2
			3	5	3	5	3	5	3	5	3
			0	0	0	0	0	0	1	1	3
			2	2	3	3	4	4	5	5	0
01	113455-001	BED (BOTTOM) COVER FASTENING SCREW		X		X		X		X	
02	514608	BED (BOTTOM) COVER FASTENING SCREW NUT		X		X		X		X	
03	353587-453	BED (BOTTOM) COVER (PLASTIC)		X		X		X		X	
04	446493-453	BED (TUBULAR) BOTTOM COVER (PLASTIC)		X		X		X		X	
05	354895-453	BED (TUBULAR) BOTTOM COVER FASTENING SCREW		X		X		X		X	
06	531882-452	BED EXTENSION		X		X		X		X	
07	356757-XX	REFER TO CHARTS ON FOLLOWING PAGES	X	X	X	X	X	X	X	X	X
08	364063-451	ARM END COVER SCREW		X		X		X		X	
09	356879-452	FACE PLATE COMPLETE (W/ GRILLE) FOR EUROPE		X		X		X		X	
09	356806-452	FACE PLATE COMPLETE (W/O GRILLE)		X		X		X		X	
10	354133-453	FACE PLATE SCREW		X		X		X		X	
11	354833-451	UNDER BED COVER SCREW		X		X		X		X	
12	531671-453	UNDER BED COVER (PLASTIC)		X		X		X		X	
13	446263-455	BED EXTENSION PLATE		X		X		X		X	
14	354966-451	BED EXTENSION PLATE SCREW		X		X		X		X	

From the library of: Diamond Needle Corp

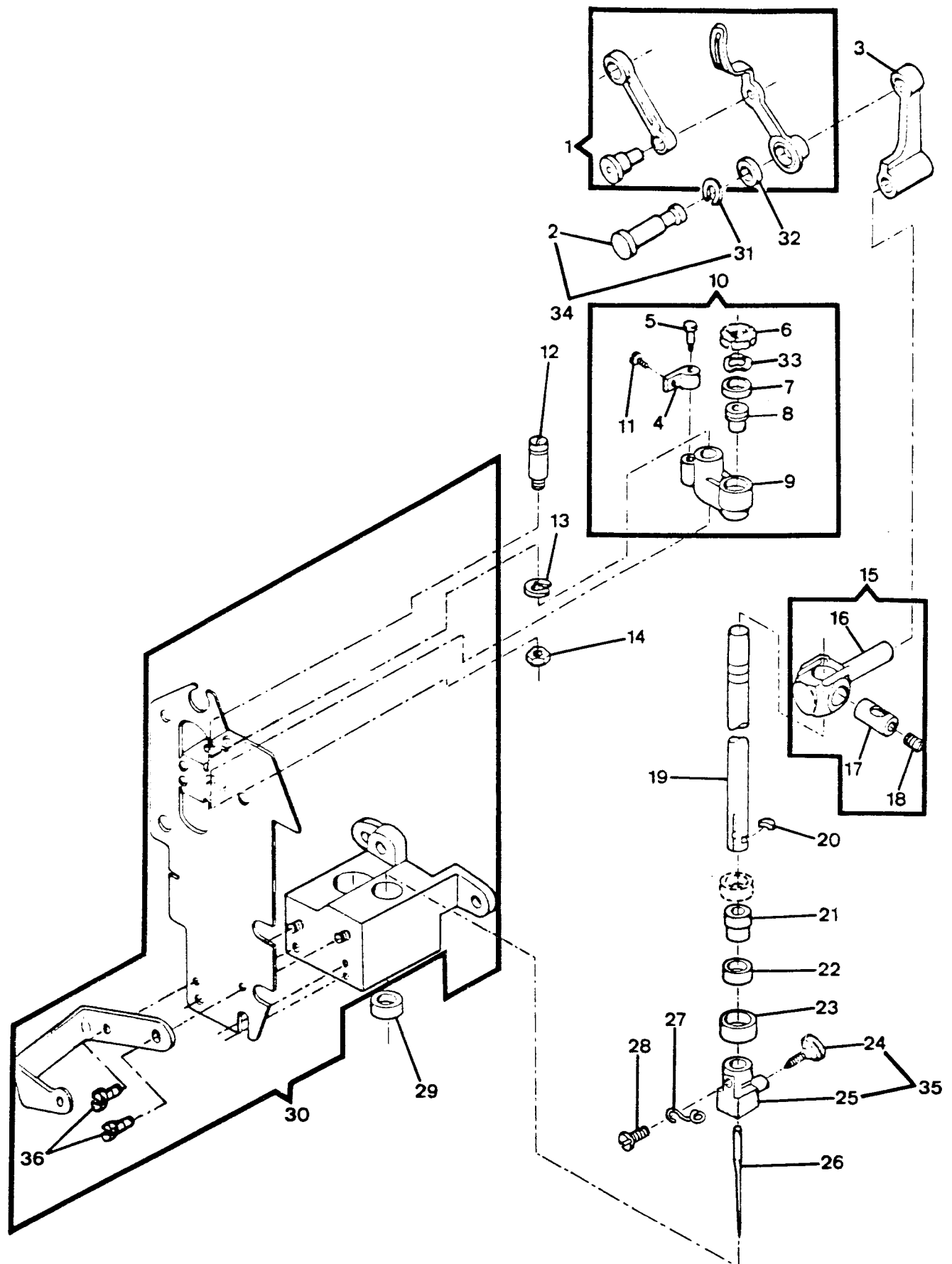
ARM END COVER

PART NBR	EUROPE W/o VDE	EUROPE	UK W/o BEAB	AUSTRALIA	NON REG EUROPE	UL/CSA	IG-SINGER 120V	IG-SINGER 220V	IG-MCPK 120V	IG-MCPK 220V	M/C
356757-001							X				2302
-002								X			2302
-003							X				2305
-004								X			2305
-005							X				2315
-006								X			2315
-007							X				2330
-008								X			2330
-009	X										2502
-010	X										2504
-011	X										2515
-012	X										2530
-013						X					2502
-014						X					2503
-015						X					2515
-016						X					2530
-017							X				2530
-018								X			2530

From the library of: Diamond Needle Corp

13

NEEDLE BAR



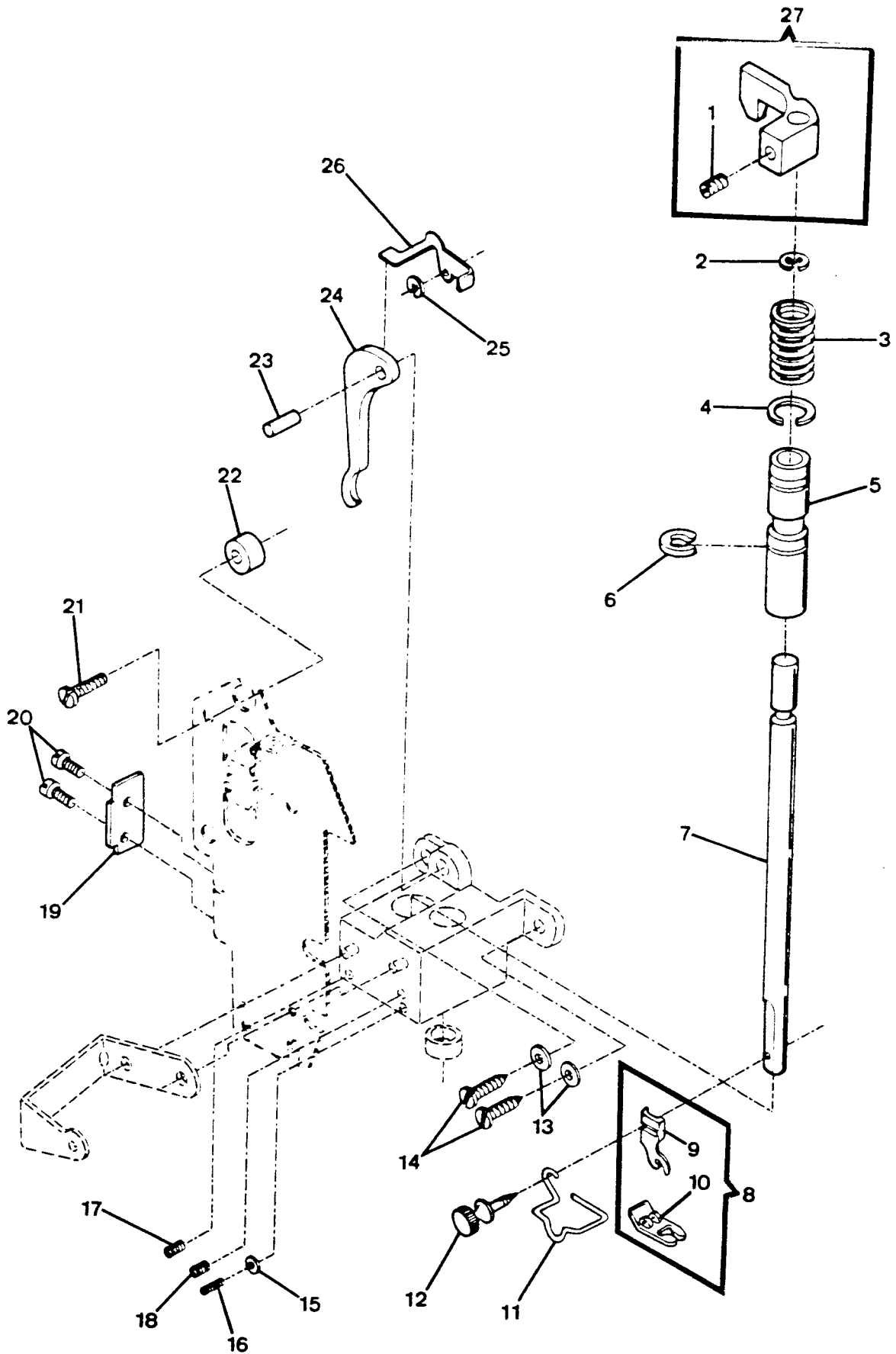
From the library of: Diamond Needle Corp

PART LIST
NEEDLE BAR

REF.	PART NBR	DESCRIPTION	2	2	3	3	4	4	5	5	0	0
			2	2	2	2	2	2	2	2	2	2
			3	5	3	5	3	5	3	5	3	5
			0	0	0	0	0	0	1	1	3	3
			2	2	3	3	4	4	5	5	0	0
01	445672	THREAD TAKE-UP LEVER COMPLETE	X	X	X	X	X	X	X	X	X	X
02	446260	THREAD TAKE-UP STUD	X	X	X	X	X	X	X	X	X	X
03	446357	NEEDLE BAR CONNECTING LINK	X	X	X	X	X	X	X	X	X	X
04	446190	NEEDLE BAR DRIVING ARM HINGE BRACKET	X	X	X	X	X	X	X	X	X	X
05	37935	NEEDLE BAR DRIVING ARM HINGE BRACKET HINGE PIN	X	X	X	X	X	X	X	X	X	X
06	353522	NEEDLE BAR BALL BUSHING (UPPER) RETAINING RING	X	X	X	X	X	X	X	X	X	X
07	507379	NEEDLE BAR BALL BUSHING (UPPER) SOCKET (LOWER)	X	X	X	X	X	X	X	X	X	X
08	446355-001	NEEDLE BAR BALL BUSHING (UPPER)	X	X	X	X	X	X	X	X	X	X
09	353521	NEEDLE BAR VIBRATING BRACKET	X	X	X	X	X	X	X	X	X	X
10	353520	NEEDLE BAR VIBRATING BRACKET COMPLETE	X	X	X	X	X	X	X	X	X	X
11	141844-819	NEEDLE BAR DRIVING ARM HINGE BRACKET SCREW	X	X	X	X	X	X	X	X	X	X
12	446359	NEEDLE BAR VIBRATING BRACKET HINGE PIN	X	X	X	X	X	X	X	X	X	X
13	445721	NEEDLE BAR VIBRATING BRACKET HINGE PIN RETAINING RING	X	X	X	X	X	X	X	X	X	X
14	353402-451	NEEDLE BAR VIBRATING BRACKET HINGE PIN NUT	X	X	X	X	X	X	X	X	X	X
15	353549-940	NEEDLE BAR CONNECTING STUD WITH HINGE PIN	X	X	X	X	X	X	X	X	X	X
16	353549	NEEDLE BAR CONNECTING STUD	X	X	X	X	X	X	X	X	X	X
17	37931	NEEDLE BAR CONNECTING STUD HINGE PIN	X	X	X	X	X	X	X	X	X	X
18	141916-833	NEEDLE BAR CLAMPING SCREW	X	X	X	X	X	X	X	X	X	X
19	445793	NEEDLE BAR	X	X	X	X	X	X	X	X	X	X
20	37943	NEEDLE BAR GIB	X	X	X	X	X	X	X	X	X	X
21	446355-001	NEEDLE BAR BALL BUSHING (LOWER)	X	X	X	X	X	X	X	X	X	X
22	507379	NEEDLE BAR BALL BUSHING (LOWER) SOCKET	X	X	X	X	X	X	X	X	X	X
23	446361-001	NEEDLE BAR BALL BUSHING (LOWER) ADJUSTING COLLAR	X	X	X	X	X	X	X	X	X	X
24	355248-451	NEEDLE THUMB SCREW	X	X	X	X	X	X	X	X	X	X
25	353630	NEEDLE CLAMP BODY	X	X	X	X	X	X	X	X	X	X
26	204514-100	NEEDLE 2045 SIZE NBR 14	X	X	X	X	X	X	X	X	X	X
27	353629	NEEDLE CLAMP THREAD GUIDE	X	X	X	X	X	X	X	X	X	X
28	141808-451	NEEDLE CLAMP BODY, NEEDLE CLAMP THREAD GUIDE & NEEDLE STOP SCREW	X	X	X	X	X	X	X	X	X	X
29	44450	NEEDLE BAR BALL BUSHING (LOWER) SOCKET (UPPER)	X	X	X	X	X	X	X	X	X	X
30	356599-001	NEEDLE BAR, PRESSER BAR & VIBRATING BRACKET HOUSING ASSEMBLY	X	X	X	X	X	X	X	X	X	X
31	445486	THREAD TAKE-UP STUD RETAINING RING	X	X	X	X	X	X	X	X	X	X
32	543531	THREAD TAKE-UP STUD THRUST WASHER	X	X	X	X	X	X	X	X	X	X
33	353424	NEEDLE BAR BALL BUSHING (UPPER) WAVED WASHER	X	X	X	X	X	X	X	X	X	X
34	446261	THREAD TAKE-UP STUD WITH RING	X	X	X	X	X	X	X	X	X	X
35	353631	NEEDLE CLAMP BODY WITH SCREW	X	X	X	X	X	X	X	X	X	X
36	113480-451	NEEDLE BAR, PRESSER BAR & VIBRATING BRACKET HOUSING PLATE MOUNTING SCREW	X	X	X	X	X	X	X	X	X	X

From the library of: Danford Needle Corp

PRESSER BAR



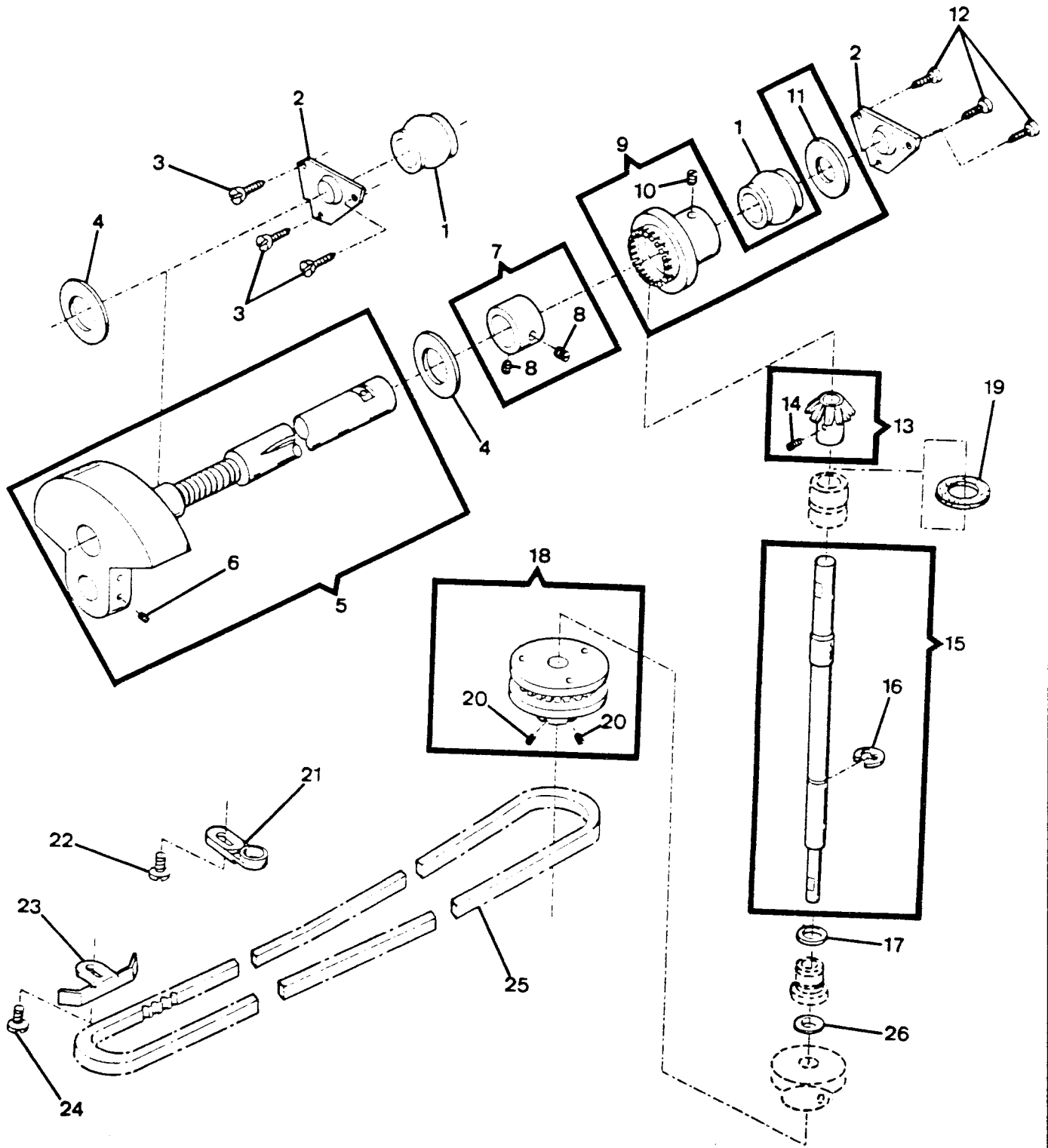
From the library of: Diamond Needle Corp

PART LIST
PRESSER BAR

REF.	PART NBR	DESCRIPTION	2	2	2	2	2	2	2	2
			2	2	2	2	2	2	2	2
			3	5	3	5	3	5	3	5
			0	0	0	0	0	1	1	3
			2	2	3	3	4	4	5	0
01	141925-833	PRESSER BAR GUIDE BRACKET SET SCREW	X	X	X	X	X	X	X	X
02	353215	PRESSER BAR SPRING RETAINING RING (UPPER)	X	X	X	X	X	X	X	X
03	353214	PRESSER BAR SPRING	X	X	X	X	X	X	X	X
04	353252	PRESSER BAR SPRING RETAINING RING	X	X	X	X	X	X	X	X
05	445947-001	PRESSER BAR BUSHING	X	X	X	X	X	X	X	X
06	353252	PRESSER BAR BUSHING LOCATING RING	X	X	X	X	X	X	X	X
07	314638	PRESSER BAR	X	X	X	X	X	X	X	X
08	446372	PRESSER FOOT (SNAP-ON) COMPLETE FOR ZIG-ZAG SEWING	X	X	X	X	X	X	X	X
09	155964	PRESSER FOOT SHANK (SNAP-ON)	X	X	X	X	X	X	X	X
10	446371	PRESSER FOOT PLATE (SNAP-ON) FOR ZIG-ZAG SEWING	X	X	X	X	X	X	X	X
11	116863	FINGER GUARD (EUROPE)	X	X	X	X	X	X	X	X
12	354135-452	PRESSER FOOT THUMB SCREW	X	X	X	X	X	X	X	X
13	353375-451	NEEDLE BAR, PRESSER BAR & VIBRATING BRACKET HOUSING MOUNTING SCREW (LOWER) WASHER	X	X	X	X	X	X	X	X
14	113434-451	NEEDLE BAR, PRESSER BAR & VIBRATING BRACKET HOUSING MOUNTING SCREW (LOWER)	X	X	X	X	X	X	X	X
15	54591-451	NEEDLE BAR OVER THROW SET SCREW NUT	X	X	X	X	X	X	X	X
16	354993-451	NEEDLE BAR OVER THROW SET SCREW	X	X	X	X	X	X	X	X
17	354906-451	PRESSER BAR BUSHING SET SCREW	X	X	X	X	X	X	X	X
18	141938-833	NEEDLE BAR BALL BUSHING (LOWER) ADJUSTING COLLAR SET SCREW	X	X	X	X	X	X	X	X
19	446353	PRESSER BAR GUIDE BRACKET POSITIONER	X	X	X	X	X	X	X	X
20	141913-451	PRESSER BAR GUIDE BRACKET POSITIONER SCREW	X	X	X	X	X	X	X	X
21	113455-009	NEEDLE BAR & PRESSER BAR VIBRATING BRACKET HOUSING MOUNTING SCREW (UPPER)	X	X	X	X	X	X	X	X
22	531627	NEEDLE BAR, PRESSER BAR & VIBRATING BRACKET HOUSING MOUNTING BUSHING	X	X	X	X	X	X	X	X
23	446354-451	PRESSER BAR LIFTER HINGE PIN	X	X	X	X	X	X	X	X
24	446356	PRESSER BAR LIFTER	X	X	X	X	X	X	X	X
25	445486	TENSION RELEASING LEVER RETAINING RING	X	X	X	X	X	X	X	X
26	445925	TENSION RELEASING LEVER	X	X	X	X	X	X	X	X
27	353212	PRESSER BAR GUIDE BRACKET ASSEMBLY	X	X	X	X	X	X	X	X

From the library of: Diamond Needle Corp

ARM SHAFT DRIVE



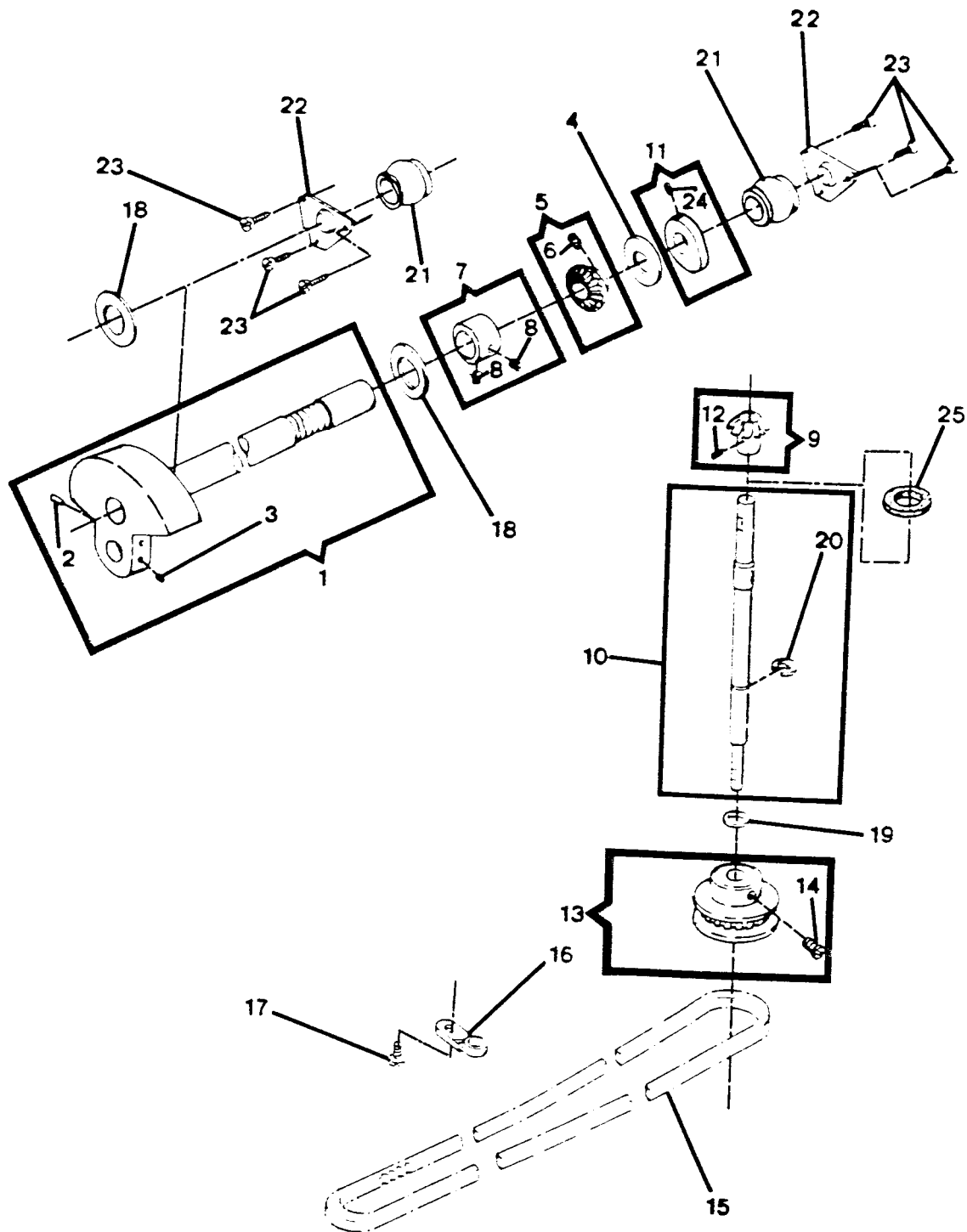
From the library of: Diamond Needle Corp

PART LIST
ARM SHAFT DRIVE

REF.	PART NBR	DESCRIPTION	2	2	2	2	2	2	2	2	2
			2	2	2	2	2	2	2	2	2
			3	5	3	5	3	5	3	5	3
			0	0	0	0	0	0	1	1	3
			2	2	3	3	4	4	5	5	0
01	446384	ARM SHAFT BUSHING (FRONT)	X	X	X	X	X	X	X	X	X
02	446385	ARM SHAFT BUSHING (FRONT) RETAINING BRACKET	X	X	X	X	X	X	X	X	X
03	113455-001	ARM SHAFT BUSHING (FRONT) RETAINING BRACKET SCREW	X	X	X	X	X	X	X	X	X
04	319764	ARM SHAFT (HORIZONTAL) RETAINING COLLAR WASHER	X	X	X	X	X	X	X	X	X
05	531684	ARM SHAFT COMPLETE	X	X	X	X	X	X	X	X	X
06	354105-833	NEEDLE BAR CRANK POSITION SET SCREW	X	X	X	X	X	X	X	X	X
07	353580	ARM SHAFT (HORIZONTAL) RETAINING COLLAR	X	X	X	X	X	X	X	X	X
08	113500-451	ARM SHAFT (HORIZONTAL) RETAINING COLLAR SET SCREW	X	X	X	X	X	X	X	X	X
09	353272	ARM SHAFT (HORIZONTAL) BEVEL GEAR & FEED LIFTING (ECCENTRIC) COMPLETE	X	X	X	X	X	X	X	X	X
10	354813-451	ARM SHAFT (HORIZONTAL) BEVEL GEAR & FEED LIFTING (ECCENTRIC) SET SCREW	X	X	X	X	X	X	X	X	X
11	353413	ARM SHAFT (HORIZONTAL) BEVEL GEAR & FEED LIFTING (ECCENTRIC) WASHER (PLASTIC)	X	X	X	X	X	X	X	X	X
12	113455-001	ARM SHAFT BUSHING (REAR) RETAINING BRACKET SCREW	X	X	X	X	X	X	X	X	X
13	353273-002	ARM SHAFT (UPRIGHT) BEVEL GEAR (PLASTIC)	X	X	X	X	X	X	X	X	X
14	354105-833	ARM SHAFT (UPRIGHT) BEVEL GEAR SET SCREW	X	X	X	X	X	X	X	X	X
15	179952-002	ARM SHAFT (UPRIGHT) ASSEMBLY	X	X	X	X	X	X	X	X	X
16	353215	ARM SHAFT (UPRIGHT) RETAINING RING	X	X	X	X	X	X	X	X	X
17	353394	ARM SHAFT (UPRIGHT) RETAINING RING WASHER	X	X	X	X	X	X	X	X	X
18	353438-001	ARM SHAFT (UPRIGHT) BELT DRIVE PULLEY ASSEMBLY COMPLETE	X	X	X	X	X	X	X	X	X
19	356819	ARM SHAFT (UPRIGHT) BELT WASHER	X	X	X	X	X	X	X	X	X
20	354906-451	ARM SHAFT (UPRIGHT) BELT DRIVE PULLEY RETAINING COLLAR SET SCREW	X	X	X	X	X	X	X	X	X
21	531630	ROTATING HOOK DRIVE BELT TENSION ADJUSTER	X	X	X	X	X	X	X	X	X
22	113453-003	ROTATING HOOK DRIVE BELT TENSIONER SCREW	X	X	X	X	X	X	X	X	X
23	446376	BELT RETAINER (LEFT)	X	X	X	X	X	X	X	X	X
24	113455-001	BELT RETAINER (LEFT) SCREW	X	X	X	X	X	X	X	X	X
25	446237	BELT (ROTATING HOOK DRIVE)	X	X	X	X	X	X	X	X	X
26	319826	ARM SHAFT (UPRIGHT) BELT DRIVE PULLEY WASHER	X	X	X	X	X	X	X	X	X

From the library of: Diamond Needle Corp

ARM SHAFT DRIVE



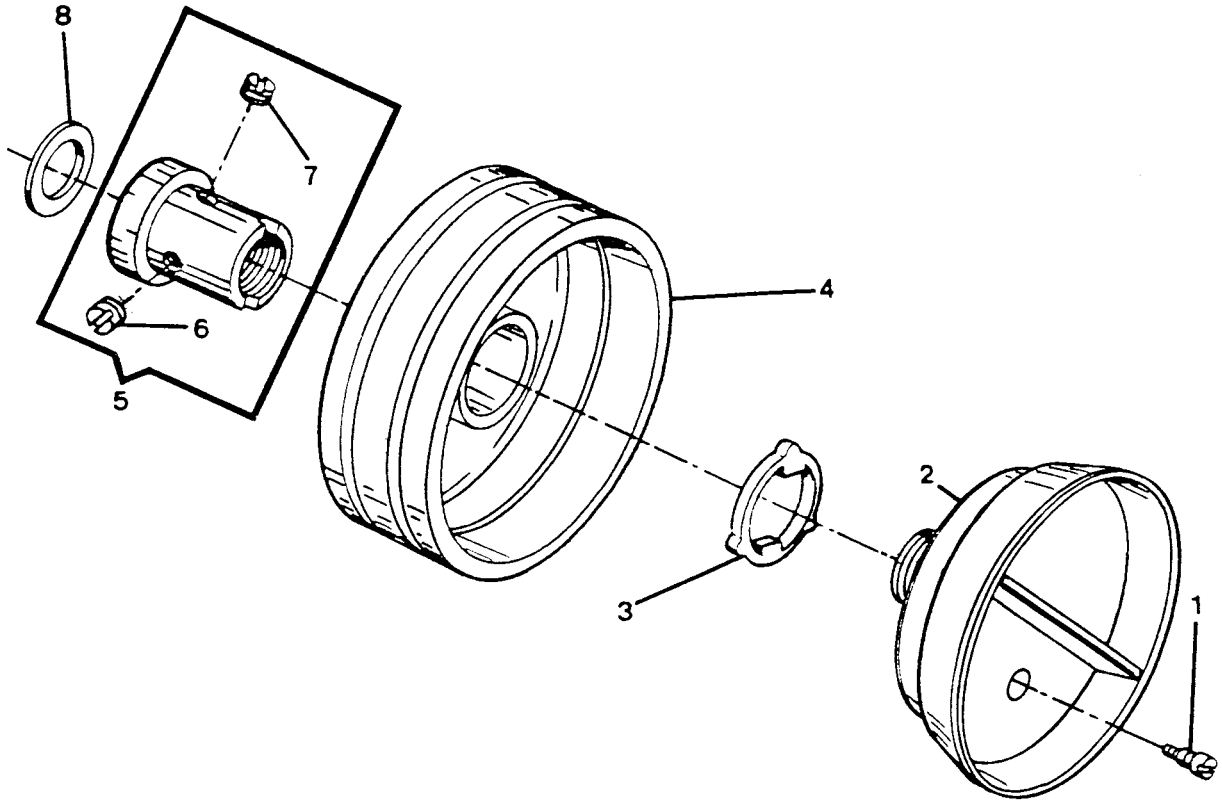
From the library of: Diamond Needle Corp

PART LIST
ARM SHAFT DRIVE

REF.	PART NBR	DESCRIPTION	2	2	2	2	2	2	2	2
			3	5	3	5	3	5	3	5
			0	0	0	0	0	0	1	1
			2	2	3	3	4	4	5	5
			0	0	0	0	0	0	1	3
			2	2	3	3	4	4	5	0
01	531657	ARM SHAFT (HORIZONTAL) COMPLETE	X	X	X	X	X	X	X	X
02	445898	NEEDLE BAR CRANK PIN	X	X	X	X	X	X	X	X
03	354105-833	NEEDLE BAR CRANK POSITION SET SCREW	X	X	X	X	X	X	X	X
04	37284-001	FEED FORKED CONNECTING RETAINING WASHER (PLASTIC)	X	X	X	X	X	X	X	X
05	319695	ARM SHAFT (HORIZONTAL) BEVEL GEAR (PLASTIC)	X	X	X	X	X	X	X	X
06	354813-451	ARM SHAFT (HORIZONTAL) BEVEL GEAR & FEED LIFTING (ECCENTRIC) SET SCREW	X	X	X	X	X	X	X	X
07	353580	ARM SHAFT (HORIZONTAL) RETAINING COLLAR COMPLETE	X	X	X	X	X	X	X	X
08	113500-451	ARM SHAFT (HORIZONTAL) RETAINING COLLAR SET SCREW	X	X	X	X	X	X	X	X
09	531658	ARM SHAFT BEVEL GEAR (UPRIGHT) COMPLETE	X	X	X	X	X	X	X	X
10	531659	ARM SHAFT (UPRIGHT)	X	X	X	X	X	X	X	X
11	357039	FEED CAM WITH SCREW	X	X	X	X	X	X	X	X
12	354105-833	ARM SHAFT (UPRIGHT) BEVEL GEAR (PLASTIC) SET SCREW	X	X	X	X	X	X	X	X
13	445543	ARM SHAFT (UPRIGHT) BELT DRIVE PULLEY COMPLETE	X	X	X	X	X	X	X	X
14	354906-451	ROTATING HOOK BELT DRIVE PULLEY SET SCREW	X	X	X	X	X	X	X	X
15	37977	BELT (ROTATING HOOK DRIVE)	X	X	X	X	X	X	X	X
16	531630	ROTATING HOOK DRIVE BELT TENSION ADJUSTED	X	X	X	X	X	X	X	X
17	354833-451	ROTATING HOOK DRIVE BELT TENSIONER SCREW	X	X	X	X	X	X	X	X
18	319764	NEEDLE BAR CRANK WASHER (PLASTIC)	X	X	X	X	X	X	X	X
19	353394	ARM SHAFT (UPRIGHT) RETAINING RING WASHER	X	X	X	X	X	X	X	X
20	353215	ARM SHAFT (UPRIGHT) RETAINING RING	X	X	X	X	X	X	X	X
21	446384	ARM SHAFT BUSHING (LEFT & RIGHT)	X	X	X	X	X	X	X	X
22	446385	ARM SHAFT BUSHING RETAINING PLATE	X	X	X	X	X	X	X	X
23	113455-001	ARM SHAFT BUSHING RETAINING BRACKET SCREW	X	X	X	X	X	X	X	X
24	354813-451	FEED CAM SET SCREW	X	X	X	X	X	X	X	X
25	356819	ARM SHAFT (UPRIGHT) FELT WASHER	X	X	X	X	X	X	X	X

From the library of: Diamond Needle Corp

HAND WHEEL



From the library of: Diamond Needle Corp

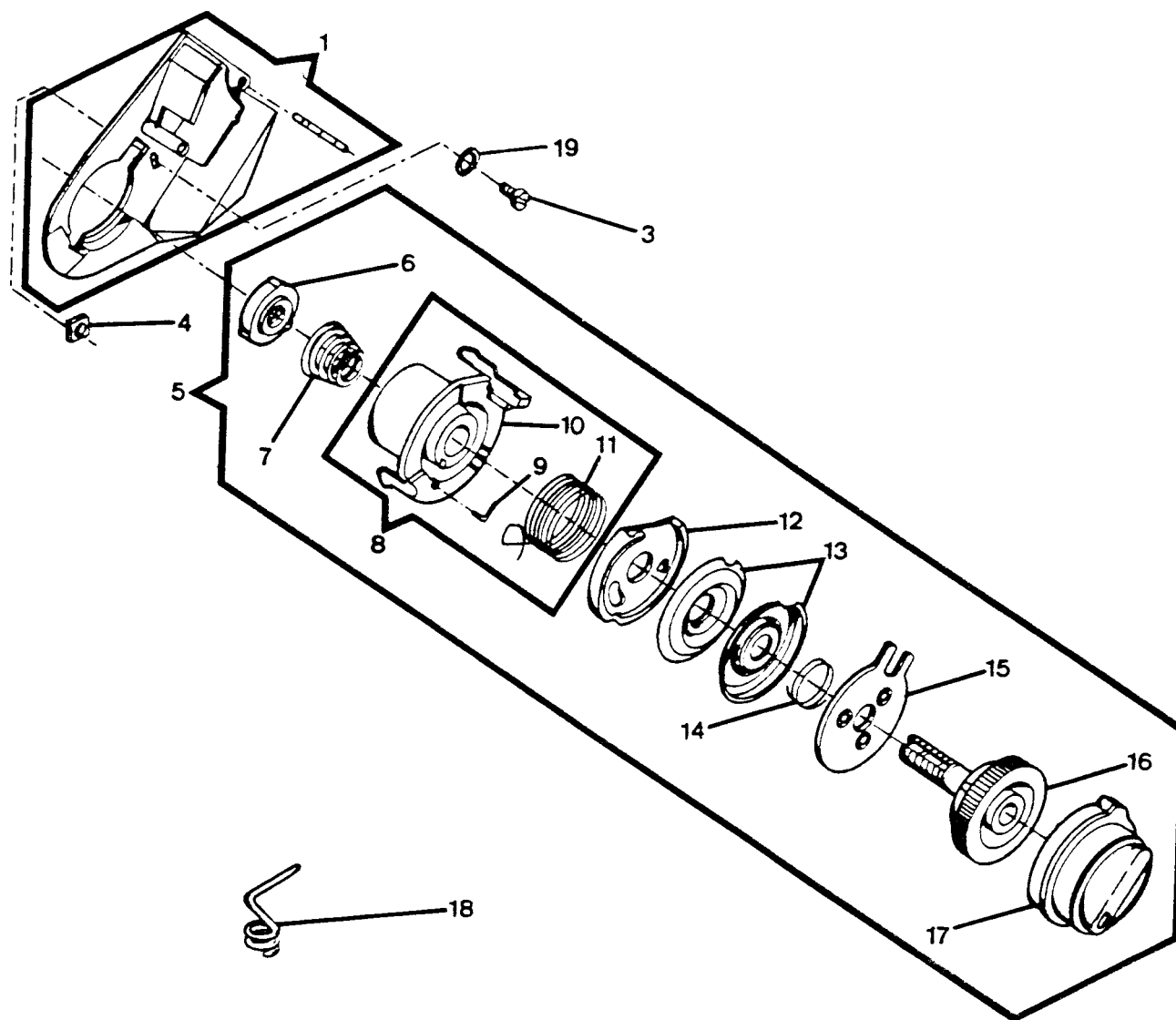
PART LIST
HAND WHEEL

2 2 2 2 2 2 2 2 2 2
3 5 3 5 3 5 3 5 3 5
0 0 0 0 0 0 1 1 3 3
2 2 3 3 4 4 5 5 0 0

REF.	PART NBR	DESCRIPTION	2	2	3	3	4	4	5	5	0	0
01	141914-453	CLAMP STOP MOTION STOP SCREW	X	X	X	X	X	X	X	X	X	X
02	356755-452	CLAMP STOP MOTION SCREW	X	X	X	X	X	X	X	X	X	X
03	44464	HAND WHEEL CLAMPING WASHER	X	X	X	X	X	X	X	X	X	X
04	356754-452	HAND WHEEL (CAST IRON)	X	X	X	X	X	X	X	X	X	X
05	356886	CLAMP STOP MOTION FLANGED BUSHING COMPLETE	X	X	X	X	X	X	X	X	X	X
06	141916-833	CLAMP STOP MOTION FLANGED BUSHING SET SCREW	X	X	X	X	X	X	X	X	X	X
07	141916-833	CLAMP STOP MOTION FLANGED BUSHING SET SCREW	X	X	X	X	X	X	X	X	X	X
08	319764	CLAMP STOP MOTION BUSHING SPACER	X	X	X	X	X	X	X	X	X	X

From the library of: Diamond Needle Corp

TENSION



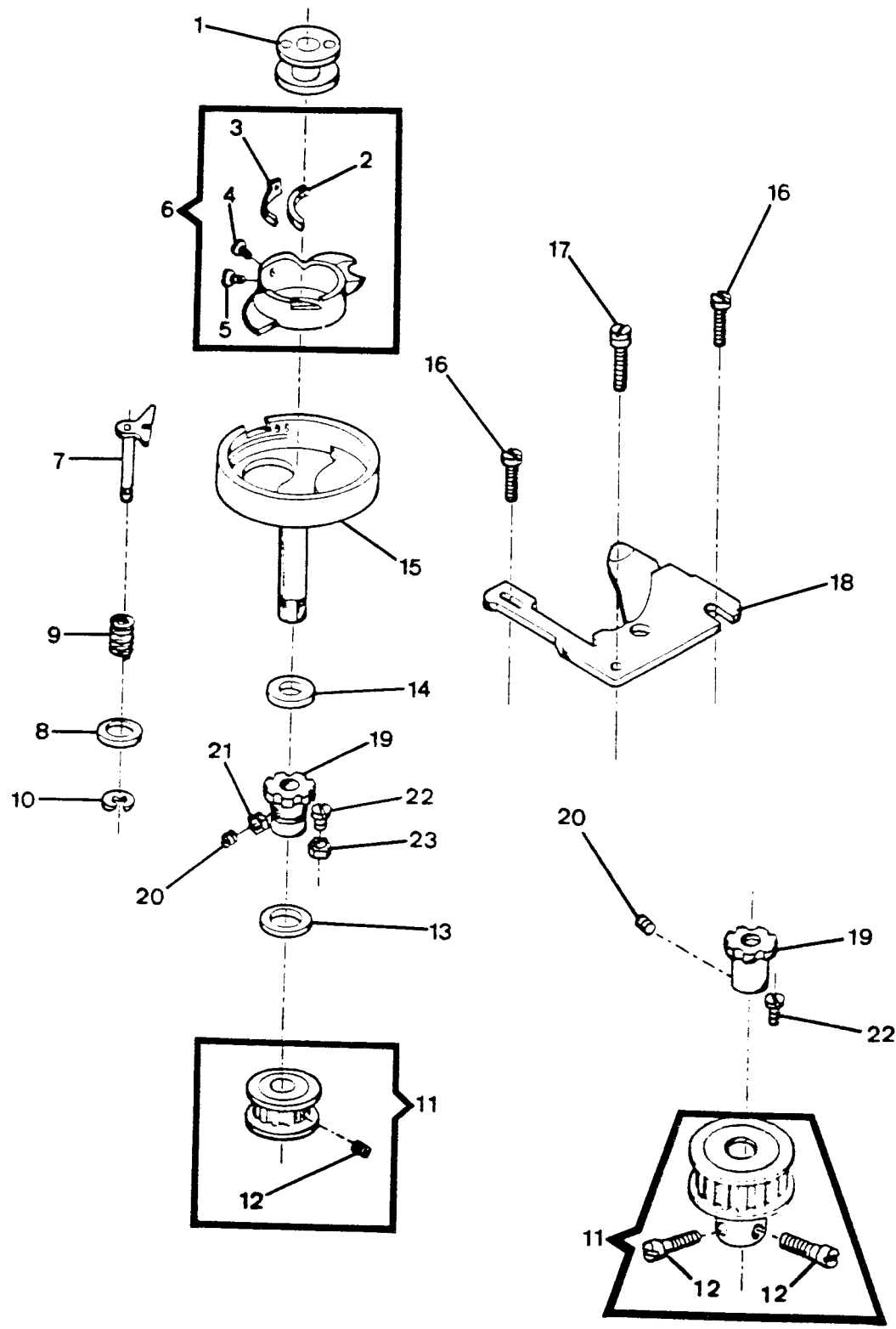
From the library of: Diamond Needle Corp

PART LIST
TENSION

REF.	PART NBR	DESCRIPTION	2	2	2	2	2	2	2	2	2
			3	5	3	5	3	5	3	5	3
			0	0	0	0	0	0	1	1	3
			2	2	3	3	4	4	5	5	0
01	356040-452	TENSION MECHANISM SHROUDER ASSEMBLY	X	X	X	X	X	X	X	X	X
03	355236-451	TENSION THREAD GUIDE SCREW	X	X	X	X	X	X	X	X	X
04	514698-451	TENSION THREAD GUIDE SCREW NUT	X	X	X	X	X	X	X	X	X
05	356088-457	TENSION MECHANISM ASSEMBLY	X	X	X	X	X	X	X	X	X
06	356095	TENSION STUD NUT	X	X	X	X	X	X	X	X	X
07	356096	TENSION SPRING	X	X	X	X	X	X	X	X	X
08	356245	TENSION MECHANISM SUPPORT ASSEMBLY	X	X	X	X	X	X	X	X	X
09	356246-900	TENSION MECHANISM SUPPORT PIN	X	X	X	X	X	X	X	X	X
10	356089	TENSION MECHANISM SUPPORT	X	X	X	X	X	X	X	X	X
1	356097	THREAD TAKE-UP SPRING	X	X	X	X	X	X	X	X	X
2	356091	THREAD TAKE-UP SPRING THREAD GUARD	X	X	X	X	X	X	X	X	X
3	356094	TENSION DISC	X	X	X	X	X	X	X	X	X
4	356216	TENSION DISC PRESSURE PLATE SPRING	X	X	X	X	X	X	X	X	X
5	356177	TENSION DISC PRESSURE PLATE	X	X	X	X	X	X	X	X	X
6	356092-451	TENSION INDICATOR WITH STUD	X	X	X	X	X	X	X	X	X
7	356090-457	TENSION INDICATOR DIAL	X	X	X	X	X	X	X	X	X
8	445784	THREAD GUIDE (LOWER)	X	X	X	X	X	X	X	X	X
9	356443	TENSION THREAD GUIDE SCREW WASHER	X	X	X	X	X	X	X	X	X

From the library of: Diamond Needle Corp

ROTATING HOOK



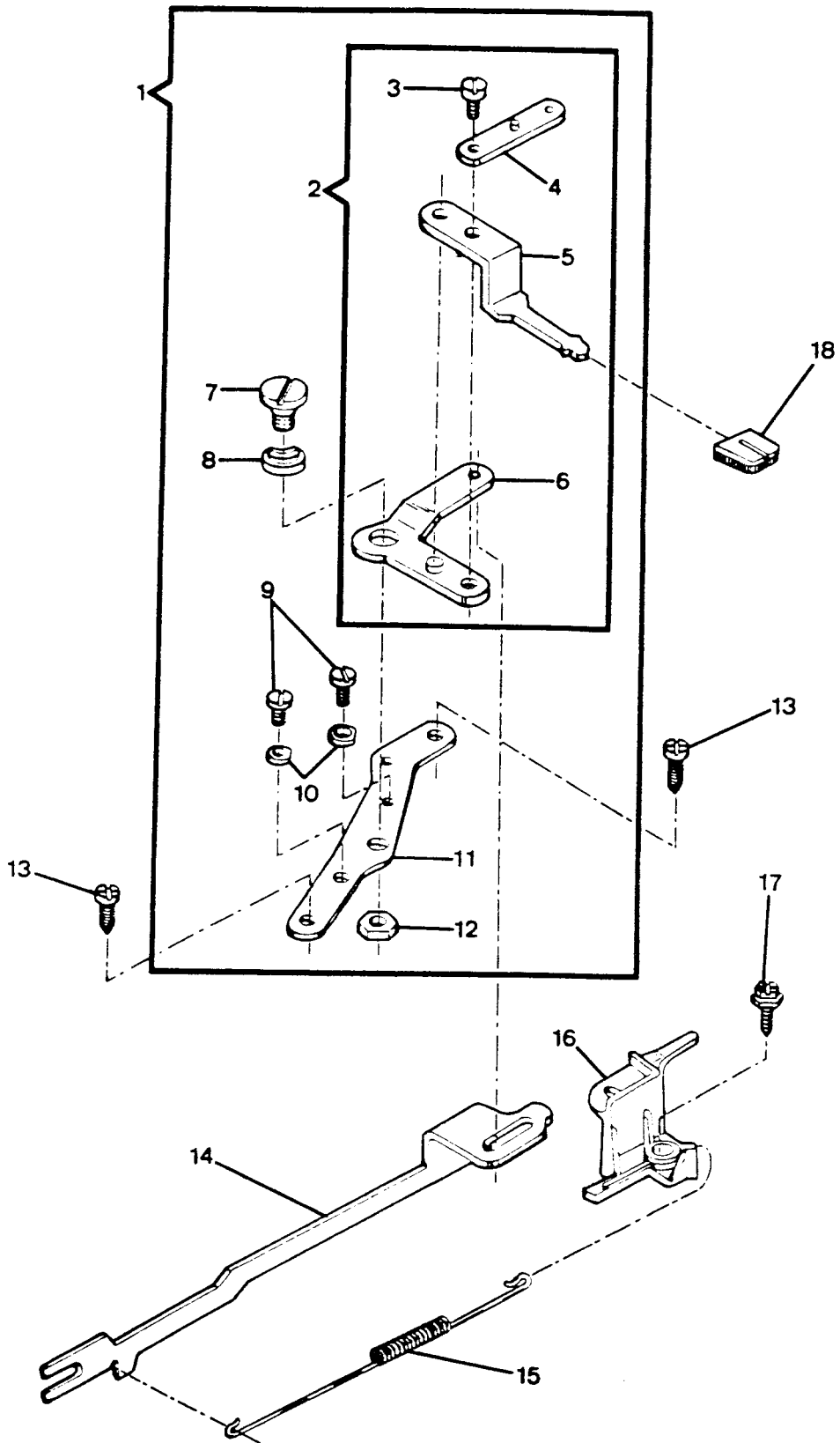
From the library of: Diamond Needle Corp

PART LIST
ROTATING HOOK

REF.	PART NBR	DESCRIPTION	2	2	2	2	2	2	2	2
			3	5	3	5	3	5	3	5
			0	0	0	0	0	0	1	1
			2	2	3	3	4	4	5	5
			0	0	0	0	0	0	1	3
			2	2	3	3	4	4	5	0
01	172336	ROTATING HOOK BOBBIN (PLASTIC)	X	X	X	X	X	X	X	X
02	356490-451	ROTATING HOOK BOBBIN CASE TENSION SPRING SEGMENT	X	X	X	X	X	X	X	X
03	314715	ROTATING HOOK BOBBIN CASE TENSION SPRING	X	X	X	X	X	X	X	X
04	354183-452	ROTATING HOOK BOBBIN CASE TENSION REGULATING SCREW	X	X	X	X	X	X	X	X
05	139975-452	ROTATING HOOK BOBBIN CASE TENSION SPRING SEGMENT SCREW	X	X	X	X	X	X	X	X
06	421325	ROTATING HOOK BOBBIN CASE	X	X	X	X	X	X	X	X
07	353511	ROTATING HOOK BOBBIN CASE RETAINING PLATE ASSEMBLY	X	X	X	X	X	X	X	X
08	445808	ROTATING HOOK BOBBIN CASE RETAINING PLATE STUD WASHER	X	X	X	X	X	X	X	X
09	44892	ROTATING HOOK BOBBIN CASE RETAINING PLATE STUD SPRING	X	X	X	X	X	X	X	X
10	353509	ROTATING HOOK BOBBIN CASE RETAINING PLATE RETAINING RING	X	X	X	X	X	X	X	X
11	446235	ROTATING HOOK BELT DRIVE PULLEY		X		X		X		X
11	445559	ROTATING HOOK BELT DRIVE PULLEY	X		X		X		X	X
12	141803-451	ROTATING HOOK BELT DRIVE PULLEY SCREW		X		X		X		X
12	354906-451	ROTATING HOOK BELT DRIVE PULLEY SCREW	X		X		X		X	X
13	382861-906	ROTATING HOOK BELT DRIVE PULLEY WASHER		X		X		X		X
14	353453	ROTATING HOOK WEAR WASHER		X		X		X		X
15	353366	ROTATING HOOK COMPLETE		X		X		X		X
15	356720	ROTATING HOOK	X		X		X		X	X
16	113430-451	ROTATING HOOK BOBBIN CASE POSITION PLATE SCREW		X		X		X		X
16	354917-451	ROTATING HOOK BOBBIN CASE POSITION PLATE SCREW	X		X		X		X	X
17	113430-451	ROTATING HOOK BOBBIN CASE RETAINING PLATE (ADJUSTABLE & POSITION PLATE) SCREW		X		X		X		X
17	354917-451	ROTATING HOOK BOBBIN CASE RETAINING PLATE (ADJUSTABLE & POSITION PLATE) SCREW	X		X		X		X	X
18	44873-001	ROTATING HOOK BOBBIN CASE POSITION PLATE	X	X	X	X	X	X	X	X
19	353410-900	ROTATING HOOK BUSHING	X	X	X	X	X	X	X	X
20	141938-833	ROTATING HOOK BUSHING SET SCREW		X		X		X		X
20	141925-833	ROTATING HOOK BUSHING SET SCREW	X		X		X		X	X
21	353367-451	ROTATING HOOK BUSHING SET SCREW NUT		X		X		X		X
22	141844-451	ROTATING HOOK BUSHING ADJUSTING SCREW		X		X		X		X
22	139943-803	ROTATING HOOK FLANGED BUSHING POSITIONING	X		X		X		X	X
23	618638-005	ROTATING HOOK BUSHING ADJUSTING SCREW NUT		X		X		X		X

From the library of: Diamond Needle Corp

BIGHT AMPLITUDE



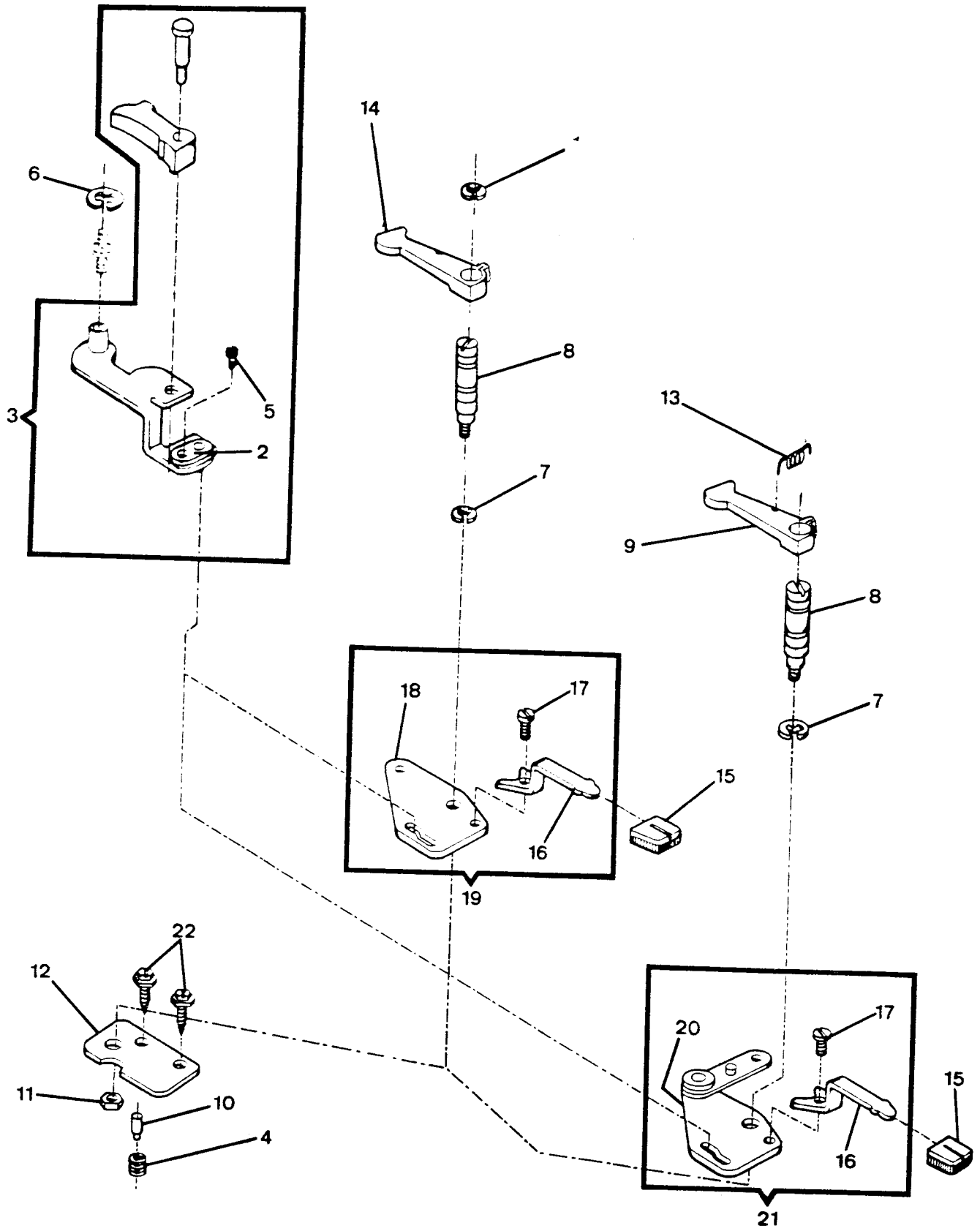
From the library of: Diamond Needle Corp

PART LIST
BIGHT AMPLITUDE

REF.	PART NBR	DESCRIPTION	2	2	2	2	2	2	2	2	2	2
			3	5	3	5	3	5	3	5	3	5
			0	0	0	0	0	0	1	1	3	3
			2	2	3	3	4	4	5	5	0	0
1	446396	BIGHT AMPLITUDE CONTROL LEVER MOUNTING BRACKET COMPLETE	X	X	X	X						
1	179893	BIGHT AMPLITUDE CONTROL LEVER MOUNTING BRACKET COMPLETE										
2	446395	BIGHT AMPLITUDE CONTROL LEVER SUB-ASSEMBLY						X	X	X	X	X
2	446342	BIGHT AMPLITUDE CONTROL LEVER SUB-ASSEMBLY	X	X	X	X						
3	141913-451	BIGHT AMPLITUDE CONTROL LEVER SCREW						X	X	X	X	X
3	139866-451	BIGHT AMPLITUDE CONTROL LEVER SCREW	X	X	X	X						
4	44556	BUTTONHOLER BIGHT CONTROL CAM FOLLOWER LEVER LINK (LEFT)						X	X	X	X	X
5	446394	BIGHT AMPLITUDE CONTROL LEVER	X	X	X	X	X	X	X	X	X	X
6	37246	BIGHT AMPLITUDE CONTROL LEVER LINK	X	X	X	X	X	X	X	X	X	X
7	354825-451	BIGHT AMPLITUDE CONTROL LEVER LINK HINGE SCREW	X	X	X	X	X	X	X	X	X	X
8	49204	BIGHT AMPLITUDE CONTROL LEVER LINK HINGE SCREW FRICTION WASHER	X	X	X	X	X	X	X	X	X	X
9	141913-451	BIGHT AMPLITUDE CONTROL LEVER LINK STOP SCREW	X	X	X	X	X	X	X	X	X	X
0	446904	BIGHT AMPLITUDE CONTROL LEVER LINK STOP	X	X	X	X	X	X	X	X	X	X
1	531793	BIGHT AMPLITUDE CONTROL LEVER MOUNTING BRACKET	X	X	X	X	X	X	X	X	X	X
2	54591-451	BIGHT AMPLITUDE CONTROL LEVER LINK HINGE SCREW NUT	X	X	X	X	X	X	X	X	X	X
3	113455-001	BIGHT AMPLITUDE CONTROL LEVER MOUNTING BRACKET SCREW	X	X	X	X	X	X	X	X	X	X
4	37933-002	NEEDLE BAR DRIVING ARM	X	X	X	X	X	X	X	X	X	X
5	37942	NEEDLE BAR DRIVING ARM TENSION SPRING	X	X	X	X	X	X	X	X	X	X
6	445780	LIGHT LEAD SHIELD & NEEDLE BAR DRIVING ARM TENSION SPRING MOUNTING PLATE	X	X	X	X	X	X	X	X	X	X
7	113455-009	LIGHT LEAD SHIELD & NEEDLE BAR DRIVING ARM TENSION SPRING MOUNTING PLATE SCREW	X	X	X	X	X	X	X	X	X	X
8	356961-452	BIGHT AMPLITUDE CONTROL LEVER KNOB (PLASTIC) (GRAY)	X	X	X	X	X	X	X	X	X	X

From the library of: Diamond Needle Corp

NEEDLE POSITION



From the library of Diamond Needle Corp

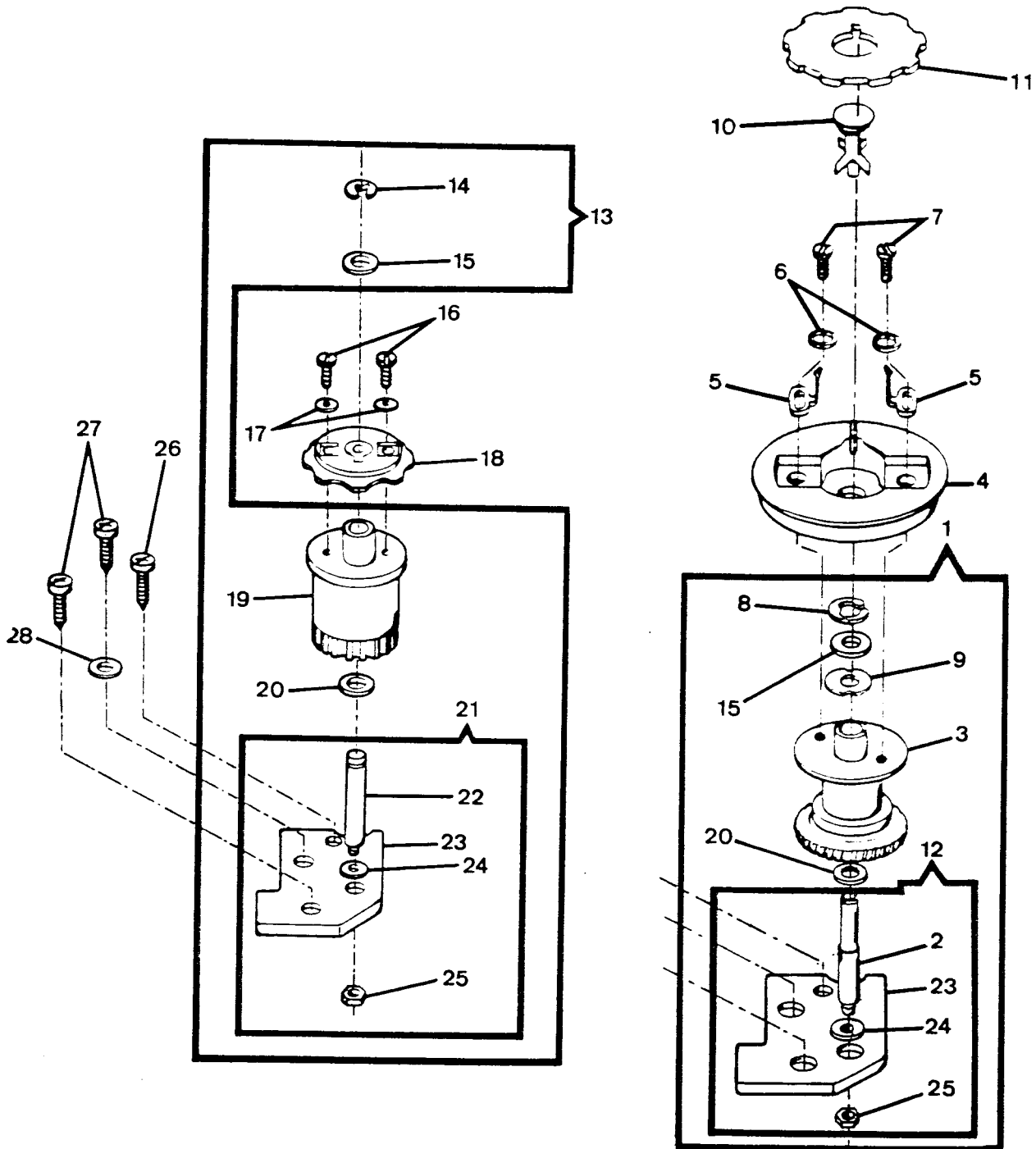
PART LIST
NEEDLE POSITION

2 2 2 2 2 2 2 2 2 2
3 5 3 5 3 5 3 5 3 5
0 0 0 0 0 0 1 1 3 3
2 2 3 3 4 4 5 5 0 0

REF.	PART NBR	DESCRIPTION								
01	44371	DISC FOLLOWER STUD RETAINING RING (UPPER)	X	X						
02	531736	NEEDLE POSITION SELECTOR BRACKET FOLLOWER STUD ARM ASSEMBLY	X	X	X	X	X	X	X	X
03	356636	NEEDLE BAR DRIVING ARM SLIDE BRACKET COMPLETE	X	X	X	X	X	X	X	X
04	444800	NEEDLE POSITION SELECTOR LEVER BRACKET POSITIONING PIN SPRING	X	X	X	X	X	X	X	X
05	141913-451	NEEDLE POSITION LEVER BRACKET STUD ARM SET SCREW	X	X	X	X	X	X	X	X
06	445721	NEEDLE BAR DRIVING ARM SLIDE BRACKET RETAINING RING	X	X	X	X	X	X	X	X
07	44371	DISC FOLLOWER STUD RETAINING RING (LOWER)	X	X	X	X	X	X	X	X
08	446023	DISC FOLLOWER STUD	X	X	X	X	X	X	X	X
09	445646	DISC FOLLOWER			X	X	X	X	X	X
0	356228	NEEDLE POSITION SELECTOR LEVER BRACKET POSITIONING PIN	X	X	X	X	X	X	X	X
1	54591-451	DISC FOLLOWER STUD NUT	X	X	X	X	X	X	X	X
2	446401	NEEDLE POSITION SELECTOR LEVER MOUNTING PLATE	X	X	X	X	X	X	X	X
3	446604	DISC FOLLOWER SPRING			X	X	X	X	X	X
4	445646	DISC FOLLOWER	X	X						
5	356961-452	NEEDLE POSITION SELECTOR LEVER KNOB (PLASTIC) (GRAY)	X	X	X	X	X	X	X	X
6	446397	NEEDLE POSITION SELECTOR LEVER	X	X	X	X	X	X	X	X
7	141913-451	NEEDLE POSITION SELECTOR LEVER SCREW	X	X	X	X	X	X	X	X
8	353547	NEEDLE POSITION SELECTOR LEVER BRACKET	X	X	X	X				
9	446399	NEEDLE POSITION SELECTOR LEVER ASSEMBLY	X	X	X	X				
0	44628	NEEDLE POSITION SELECTOR LEVER BRACKET ASSEMBLY								
1	446400	NEEDLE POSITION SELECTOR LEVER BRACKET COMPLETE					X	X	X	X
2	113455-001	NEEDLE POSITION SELECTOR LEVER MOUNTING PLATE SCREW					X	X	X	X
			X	X	X	X	X	X	X	X

From the Library of: Diamond Needle Corp

CAM STACK



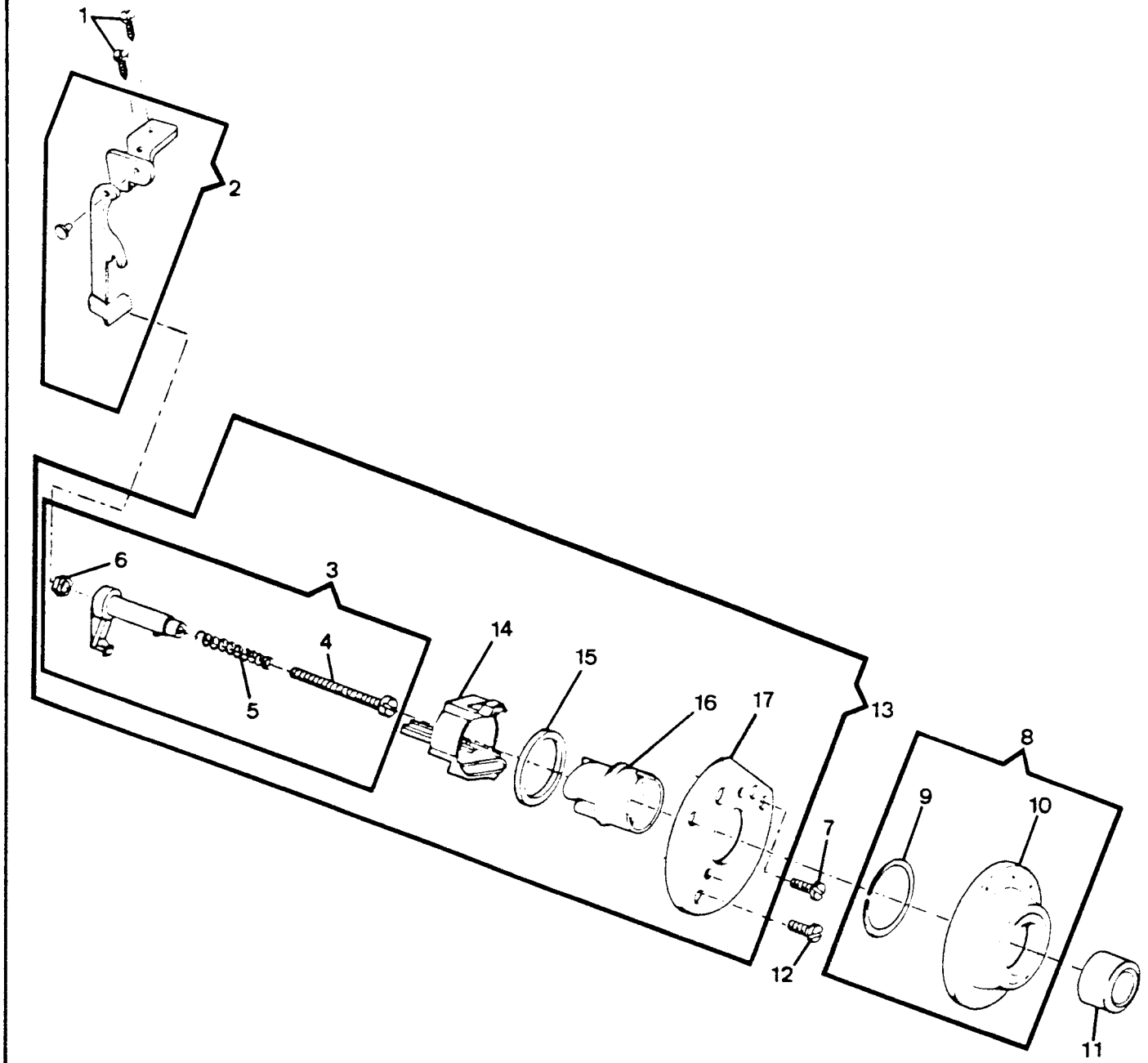
From the library of: Diamond Needle Corp

PART LIST
CAM STACK

REF.	PART NBR	DESCRIPTION	2	2	2	2	2	2	2	2	2	2	
			3	5	3	5	3	5	3	5	3	5	
			0	0	0	0	0	0	1	1	3	3	
			2	2	3	3	4	4	5	5	0	0	
01	356763-930	DISC DRIVING GEAR COMPLETE					X	X	X	X	X	X	X
02	356765-900	DISC DRIVING GEAR SHAFT					X	X	X	X	X	X	X
03	444911	DISC DRIVING GEAR SHAFT ASSEMBLY					X	X	X	X	X	X	X
04	446176	DISC DRIVING GEAR POSITIONING ADJUSTING SPACER					X	X	X	X	X	X	X
05	444908	DISC DRIVING GEAR RETAINING SPRING					X	X	X	X	X	X	X
06	446138	DISC DRIVING GEAR POSITIONING ADJUSTING SPACER SCREW WASHER					X	X	X	X	X	X	X
07	141920-452	DISC DRIVING GEAR POSITIONING ADJUSTING SPACER SCREW					X	X	X	X	X	X	X
08	603908-001	DISC DRIVING GEAR RETAINING RING					X	X	X	X	X	X	X
09	444903-453	DISC DRIVING GEAR RELEASING BRACKET RETAINING WASHER					X	X	X	X	X	X	X
10	444906	DISC DRIVING GEAR RELEASING BRACKET STUD COMPLETE					X	X	X	X	X	X	X
11	276301	DISC NBR 1 (FOR ZIG-ZAG STITCH)					X	X	X	X	X	X	X
12	356764	DISC DRIVING GEAR SHAFT MOUNTING PLATE ASSEMBLY					X	X	X	X	X	X	X
13	446421-930	DISC DRIVING GEAR COMPLETE	X	X									
14	444921	DISC DRIVING GEAR RETAINING RING	X	X									
15	444923-453	DISC DRIVING GEAR SHAFT FRICTION WASHER	X	X	X	X	X	X	X	X	X	X	X
16	113375-451	DISC STACK POSITIONING SCREW	X	X									
17	446138	DISC STACK POSITIONING SCREW WASHER	X	X									
18	445762	DISC STACK (PLASTIC)	X	X									
19	179958	DISC DRIVING GEAR	X	X									
20	353424	DISC DRIVING GEAR SHAFT SPACER	X	X	X	X	X	X	X	X	X	X	X
21	446420	DISC DRIVING GEAR SHAFT MOUNTING PLATE ASSEMBLY	X	X									
22	446418	DISC DRIVING GEAR SHAFT	X	X									
23	353575	DISC DRIVING GEAR SHAFT MOUNTING PLATE	X	X	X	X	X	X	X	X	X	X	X
24	353488	DISC DRIVING GEAR SHAFT WASHER	X	X	X	X	X	X	X	X	X	X	X
25	53648-451	DISC DRIVING GEAR SHAFT NUT	X	X	X	X	X	X	X	X	X	X	X
26	113455-001	DISC DRIVING GEAR SHAFT MOUNTING PLATE SCREW	X	X	X	X	X	X	X	X	X	X	X
27	113435-451	DISC DRIVING GEAR SHAFT MOUNTING PLATE SCREW	X	X	X	X	X	X	X	X	X	X	X
28	353375-451	DISC DRIVING GEAR SHAFT MOUNTING PLATE SCREW WASHER	X	X	X	X	X	X	X	X	X	X	X

Phot. Library of: Diamond Needs Corp.

FEED REGULATOR CAM



From the library of: Diamond Needle Corp

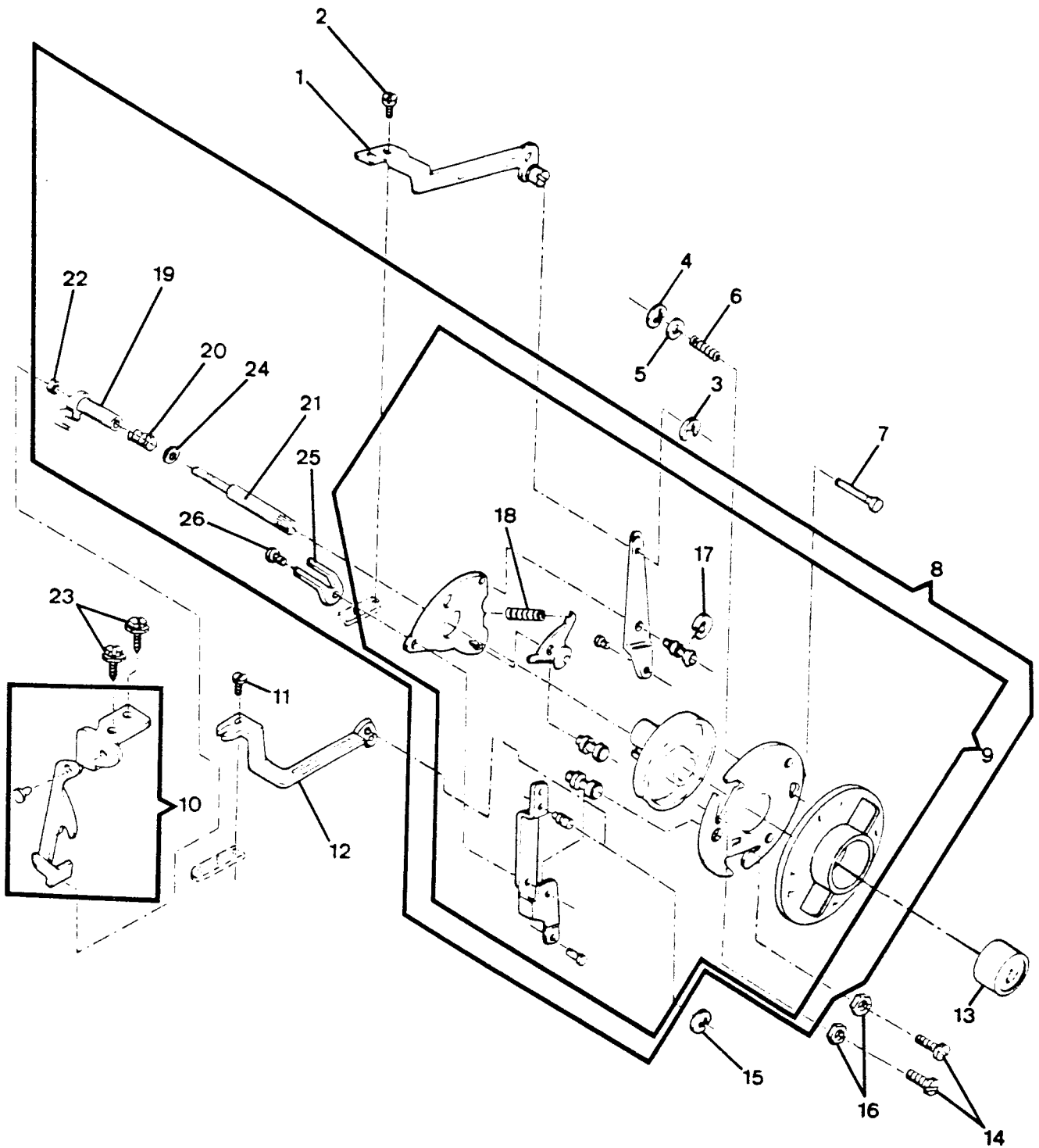
PART LIST
FEED REGULATOR CAM

2 2 2 2 2 2 2 2 2 2
3 5 3 5 3 5 3 5 3 5
0 0 0 0 0 0 1 1 3 3
2 2 3 3 4 4 5 5 0 0

REF.	PART NBR	DESCRIPTION								
01	113455-001	FEED REGULATOR CONTROL ARM MOUNTING BRACKET SCREW	X	X	X	X				
02	353304	FEED REGULATOR CONTROL ARM ASSEMBLY		X		X				
02	531650	FEED REGULATOR CONTROL ARM ASSEMBLY	X		X					
03	356397	FEED REGULATOR CAM FOLLOWER	X	X	X	X				
04	354975-451	FEED REGULATOR CAM FOLLOWER POSITIONING SCREW	X	X	X	X				
05	44892	FEED REGULATOR CAM FOLLOWER POSITIONING SPRING	X	X	X	X				
06	618638-005	FEED REGULATOR CAM FOLLOWER POSITIONING SPRING NUT	X	X	X	X				
07	531806-451	FEED REGULATOR MOUNTING PLATE SCREW (RIGHT)	X	X	X	X				
08	446428-456	FEED REGULATOR CONTROL DIAL ASSEMBLY	X	X	X	X				
09	445461	FEED REGULATOR CONTROL DIAL RETAINING RING	X	X	X	X				
10	446427-456	FEED REGULATOR CONTROL DIAL	X	X	X	X				
11	179904-457	FEED REGULATOR POSITIONING PIN KNOB	X	X	X	X				
12	531807-451	FEED REGULATOR MOUNTING PLATE SCREW (LEFT)	X	X	X	X				
13	353478	FEED REGULATOR CAM COMPLETE	X	X	X	X				
14	446284	FEED REGULATOR MOUNTING PLATE	X	X	X	X				
15	446282	FEED REGULATOR FRICTION WASGER	X	X	X	X				
16	353477	FEED REGULATOR CAM (PLASTIC)	X	X	X	X				
17	446283	FEED REGULATOR MECHANISM MOUNTING PLATE	X	X	X	X				

From the library of: Diamond Needle Corp

BUTTONHOLER & FEED REGULATOR (



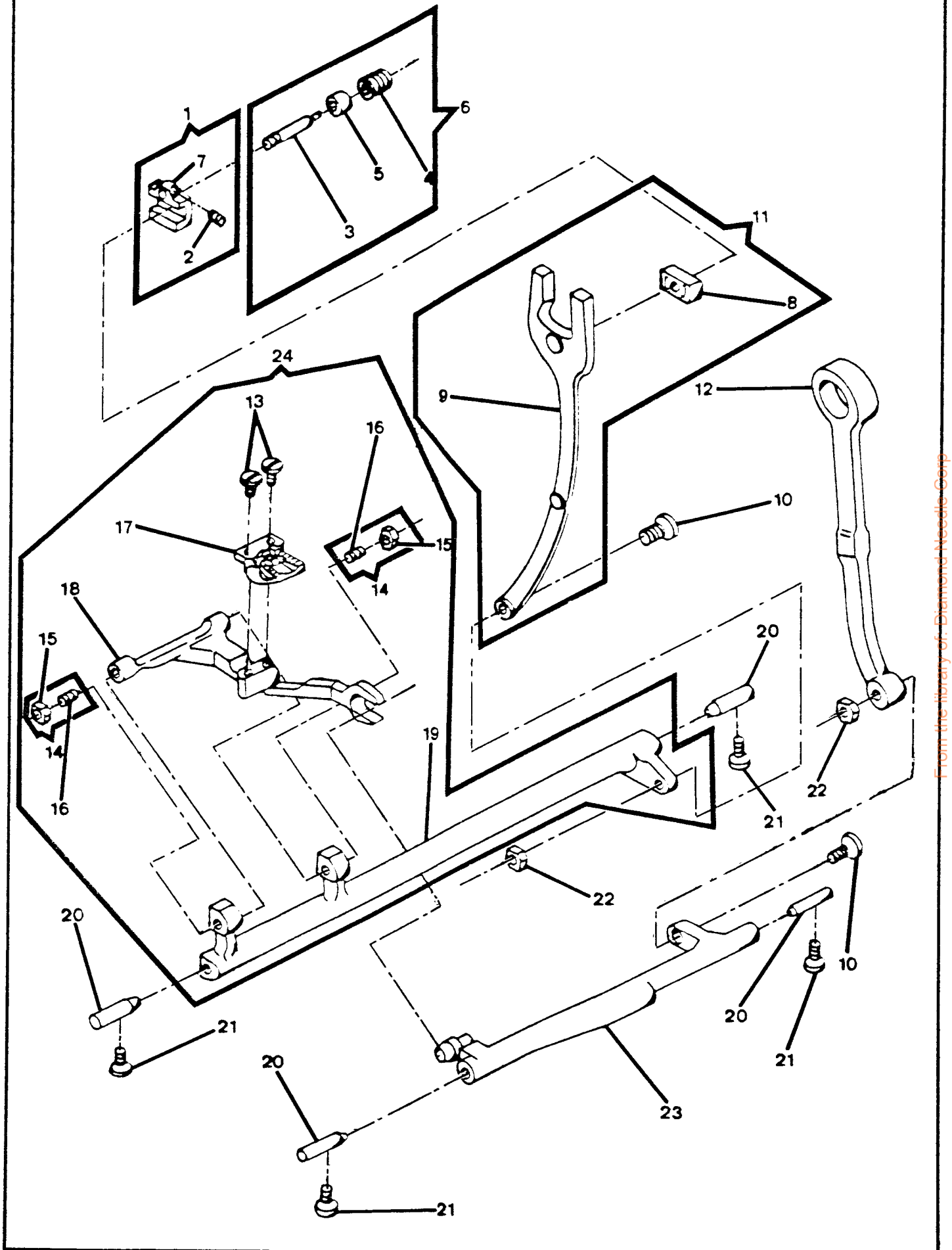
From the library of: Diamond Needle Corp

PART LIST
FEED SYSTEM

REF.	PART NBR	DESCRIPTION	2	2	2	2	2	2	2	2	2
			3	5	3	5	3	5	3	5	3
			0	0	0	0	0	0	1	1	3
			2	2	3	3	4	4	5	5	0
01	446485	FEED LIFTING LEVER HINGE STUD (ECCENTRIC) CLAMP	X	X	X	X	X	X	X	X	X
02	113455-001	FEED LIFTING LEVER HINGE STUD (ECCENTRIC) CLAMP	X	X	X	X	X	X	X	X	X
03	179955	FEED LIFTING LEVER HINGE STUD (ECCENTRIC) SPACER	X	X	X	X	X	X	X	X	X
04	446249	FEED LIFTING LEVER SPRING	X	X	X	X	X	X	X	X	X
05	353427	FEED LIFTING LEVER HINGE STUD (ECCENTRIC) SPACER	X	X	X	X	X	X	X	X	X
06	353428	FEED LIFTING LEVER HINGE STUD (ECCENTRIC) RETAINING PLATE	X	X	X	X	X	X	X	X	X
07	353448	FEED LIFTING LEVER HINGE STUD (ECCENTRIC)	X	X	X	X	X	X	X	X	X
08	356222	FEED LIFTING LEVER ASSEMBLY	X	X	X	X	X	X	X	X	X
09	446228	FEED LIFTING CAM	X	X	X	X	X	X	X	X	X
10	544118	FEED LIFTING CAM SCREW	X	X	X	X	X	X	X	X	X
11	113455-001	FEED ROCK SHAFT CENTER SUPPORTING BRACKET SCREW	X	X	X	X	X	X	X	X	X
12	446484	FEED ROCK SHAFT CENTER CLAMP (LEFT & RIGHT)	X	X	X	X	X	X	X	X	X
13	446487-001	FEED ROCK SHAFT CENTER	X	X	X	X	X	X	X	X	X
14	353397	FEED ROCK SHAFT CENTER (RIGHT) NOISE DAMPENING WASHER	X	X	X	X	X	X	X	X	X
15	53648-451	FEED FORKED CONNECTING SCREW STUD NUT	X	X	X	X	X	X	X	X	X
16	354939-451	FEED BAR HINGE SCREW	X	X	X	X	X	X	X	X	X
17	446205	FEED BAR ASSEMBLY	X	X	X	X	X	X	X	X	X
18	179891	FEED DOG	X	X	X	X	X	X	X	X	X
19	355235-451	FEED DOG SCREW	X	X	X	X	X	X	X	X	X
20	446216	FEED ROCK SHAFT COMPLETE	X	X	X	X	X	X	X	X	X
21	353397	FEED ROCK SHAFT CENTER (LEFT) NOISE DAMPENING WASHER	X	X	X	X	X	X	X	X	X
22	531623-451	FEED FORKED CONNECTING HINGE SCREW (ECCENTRIC)	X	X	X	X	X	X	X	X	X
23	531926	FEED FORKED CONNECTING	X	X	X	X	X	X	X	X	X
24	44437	FEED FORKED CONNECTING SLIDE BLOCK	X	X	X	X	X	X	X	X	X
25	446244	FEED REGULATOR ASSEMBLY	X	X	X	X	X	X	X	X	X
26	141925-833	FEED REGULATOR SET SCREW	X	X	X	X	X	X	X	X	X
27	446483	FEED REGULATOR HINGE STUD	X	X	X	X	X	X	X	X	X
28	179890	FEED REGULATOR RETURN SPRING	X	X	X	X	X	X	X	X	X
29	445768	FEED REGULATOR RETURN SPRING BUSHING (PLASTIC)	X	X	X	X	X	X	X	X	X
30	353479	FEED LIFTING LEVER HINGE STUD (ECCENTRIC) WITH RETAINING RING	X	X	X	X	X	X	X	X	X
31	353600	FEED REGULATOR HINGE STUD ASSEMBLY	X	X	X	X	X	X	X	X	X
32	531927	FEED FORKED CONNECTION ASSEMBLY WITH BLACK	X	X	X	X	X	X	X	X	X

From the library of: Diamond Needle Corp

FEED SYSTEM



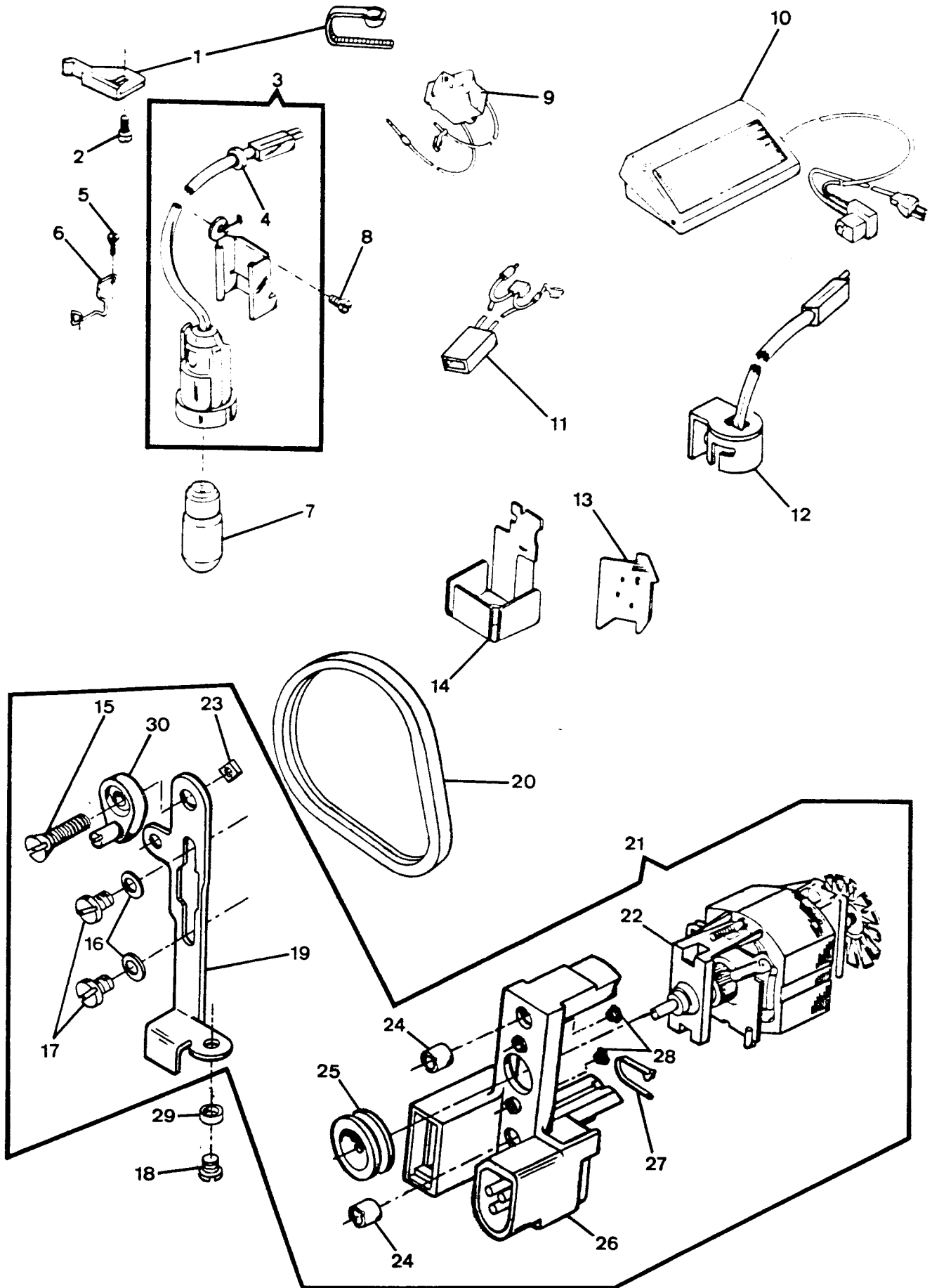
From the library of: Diamond Needle Corp

PART LIST
FEED SYSTEM

REF.	PART NBR	DESCRIPTION	2	2	2	2	2	2	2	2
			3	5	3	5	3	5	3	5
			0	0	0	0	0	0	1	1
			2	2	3	3	4	4	5	5
										0
01	531652	FEED REGULATOR COMPLETE	X	X	X	X	X	X	X	X
02	141925-833	FEED REGULATOR SET SCREW	X	X	X	X	X	X	X	X
03	531818	FEED REGULATOR HINGE STUD	X	X	X	X	X	X	X	X
04	445860	FEED REGULATOR RETURN SPRING	X	X	X	X	X	X	X	X
05	531819	FEED REGULATOR RETURN SPRING	X	X	X	X	X	X	X	X
06	531656	FEED REGULATOR HINGE STUD ASSEMBLY	X	X	X	X	X	X	X	X
07	531653	FEED REGULATOR ASSEMBLY	X	X	X	X	X	X	X	X
08	44437	FEED FORKED CONNECTING SLIDE BLOCK	X	X	X	X	X	X	X	X
09	531669	FEED FORKED CONNECTING WITH STUD	X	X	X	X	X	X	X	X
10	141805-850	FEED LIFTING ROCK SHAFT CONNECTING ROD HINGE SCREW (ECCENTRIC)	X	X	X	X	X	X	X	X
11	531668	FEED FORKED CONNECTING ASSEMBLY WITH SLIDE BLOCK	X	X	X	X	X	X	X	X
12	37288	FEED LIFTING ROCK SHAFT CONNECTING ROD (MACHINED)	X	X	X	X	X	X	X	X
13	141808-452	FEED DOG SCREW	X	X	X	X	X	X	X	X
14	44505	FEED BAR SCREW CENTER	X	X	X	X	X	X	X	X
15	53647-819	FEED BAR SCREW CENTER NUT	X	X	X	X	X	X	X	X
16	141921-850	FEED BAR SCREW CENTER	X	X	X	X	X	X	X	X
17	531667	FEED DOG (MACHINED)	X	X	X	X	X	X	X	X
18	44601	FEED BAR (MACHINED)	X	X	X	X	X	X	X	X
19	531666-900	FEED SHAFT	X	X	X	X	X	X	X	X
20	179880-001	FEED LIFTING ROCK SHAFT CENTER (PLASTIC)	X	X	X	X	X	X	X	X
21	141925-833	FEED LIFTING ROCK SHAFT CENTER SET SCREW	X	X	X	X	X	X	X	X
22	53648-451	FEED FORKED CONNECTING HINGE SCREW (ECCENTRIC) NUT	X	X	X	X	X	X	X	X
23	446153	FEED LIFTING ROCK SHAFT COMPLETE	X	X	X	X	X	X	X	X
24	531665	FEED ROCK SHAFT COMPLETE	X	X	X	X	X	X	X	X

From the library of: Diamond Needle Corp

ELECTRICAL EQUIPMENT



From the library of: Diamond Needle Corp

PART LIST
ELECTRICAL EQUIPMENT

REF.	PART NBR	DESCRIPTION	2	2	2	2	2	2	2	2	2
			3	5	3	5	3	5	3	5	3
			0	0	0	0	0	0	1	1	3
			2	2	3	3	4	4	5	5	0
01	605600-001	LIGHT LEAD RETAINING SELF-LOCKING TY-RAP	X	X	X	X	X	X	X	X	X
01	✓353411	LIGHT LEAD RETAINING CLIP		X	X	X	X	X	X	X	X
02	✓113504-451	LIGHT LEAD RETAINING CLIP MOUNTING SCREW		X	X	X	X	X	X	X	X
03		REFER TO CHARTS ON FOLLOWING PAGES	X	X	X	X	X	X	X	X	X
04	✓179908	LIGHT LEAD GROMMET	X	X	X	X	X	X	X	X	X
05	113455-001	LIGHT LEAD WIRE RETAINER MOUNTING SCREW	X	X	X	X	X	X	X	X	X
06	353247	LIGHT LEAD WIRE RETAINER	X	X	X	X	X	X	X	X	X
07	✓988076-001	LAMP (120V)	X	X	X	X	X	X	X	X	X
07	✓988076-003	LAMP (220V/250V)	X	X	X	X	X	X	X	X	X
07	988076-005	LAMP (250V)	X	X	X	X	X	X	X	X	X
08	✓354592-451	LIGHT SOCKET MOUNTING SCREW	X	X	X	X	X	X	X	X	X
09		REFER TO CHARTS ON FOLLOWING PAGES	X	X	X	X	X	X	X	X	X
10		REFER TO CHARTS ON FOLLOWING PAGES	X	X	X	X	X	X	X	X	X
11		REFER TO CHARTS ON FOLLOWING PAGES	X	X	X	X	X	X	X	X	X
12		REFER TO CHARTS ON FOLLOWING PAGES	X	X	X	X	X	X	X	X	X
13	✓179901	HEAT SHIELD (WITHOUT GRAPHICS)	X	X	X	X	X	X	X	X	X
13	✓179910-451	LIGHT SHIELD (WITH GRAPHICS) (FOR US/CANADA)	X	X	X	X	X	X	X	X	X
14	✓605087-001	HEAT SHIELD (FOR EUROPE)	X	X	X	X	X	X	X	X	X
15	354792-452	MOTOR MOUNTING PLATE SCREW	X	X	X	X	X	X	X	X	X
16	445765	MOTOR MOUNTING PLATE CLAMP WASHER	X	X	X	X	X	X	X	X	X
17	✓ 354657 -454	MOTOR MOUNTING PLATE CLAMP WASHER SCREW	X	X	X	X	X	X	X	X	X
18	✓113370-451	MOTOR MOUNTING PLATE SCREW (lower)	X	X	X	X	X	X	X	X	X
19	✓356803-901	MOTOR MOUNTING PLATE	X	X	X	X	X	X	X	X	X
20	✓196388-003	MOTOR BELT (V)	X	X	X	X	X	X	X	X	X
21		REFER TO CHARTS ON FOLLOWING PAGES	X	X	X	X	X	X	X	X	X
22		REFER TO CHARTS ON FOLLOWING PAGES	X	X	X	X	X	X	X	X	X
23	✓313470-452	MOTOR MOUNTING PLATE SCREW NUT	X	X	X	X	X	X	X	X	X
24	603907-001	MOTOR MODULE NUT	X	X	X	X	X	X	X	X	X
25	✓988176-001	MOTOR PULLEY	X	X	X	X	X	X	X	X	X
26		REFER TO CHARTS ON FOLLOWING PAGES	X	X	X	X	X	X	X	X	X
27	605600-004	TYE RAP	X	X	X	X	X	X	X	X	X
28	446424	MOTOR MODULE INSERT	X	X	X	X	X	X	X	X	X
29	531627	MOTOR MOUNTING PLATE SCREW BUSHING	X	X	X	X	X	X	X	X	X
30	356980	MOTOR BELT ADJUSTER	X	X	X	X	X	X	X	X	X

31 362237-901 Motor mounting plate spacer
 32 531110457 u 4 4 4 4 4 screw.
 33 113372457 MOTOR mounting plate screw (upper)

ELECTRICAL EQUIPMENT

		U.S CANADA	AUSTRALIA	SOUTH AFRICA & EUROPE	GREAT BRITAIN
REF.	1 SPEED UNSURPRESSED	(120V)	(250V)	(220V)	(240V)
	-----	-----	-----	-----	-----
03	LIGHT COMPLETE	----			
12	LIGHT SOCKET	605488-023			
21	MOTOR COMPLETE	362090-001			
22	SERIES MOTOR MODULE	988752-001			
26	COMMUTATOR END	362091-001			
10	CONTROLLER	979314-031			
09	SWITCH	988763-P01			
11	LIGHT RECEPT. HARNESS	988764-002			
	1 SPEED SURPRESSED				

03	LIGHT COMPLETE		605488-021	605488-021	605488-021
12	LIGHT SOCKET		----	----	----
21	MOTOR COMPLETE		362090-003	362090-002	362090-003
22	SERIES MOTOR MODULE		988752-003	988752-002	988752-003
26	COMMUTATOR END		362091-003	362091-002	362091-003
10	CONTROLLER		931314-028	931314-026	931314-027
09	SWITCH		988763-001	988763-P03	988763-001
11	LIGHT RECEPT. HARNESS		988768-002	988768-002	988768-002

From the library of: Diamond Needle Corp

ELECTRICAL EQUIPMENT

		ASIA & AFRICA & SOUTH AMERICA	ASIA & AFRICA & SOUTH AMERICA	AMEDO	AMEDO
REF.	1 SPEED UNSURPRESSED -----	FLAT BLADE (120V) -----	FLAT BLADE (220V) -----	ROUND PIN (220V) -----	ROUND PIN (120V) -----
03	LIGHT COMPLETE	----	----	----	----
12	LIGHT SOCKET	362001-007	362001-007	362001-007	362001-007
21	MOTOR COMPLETE	362090-004	362090-005	362090-008	362090-007
22	SERIES MOTOR MODULE	988752-P03	988752-004	988752-P05	988752-P04
26	COMMUTATOR END	632091-004	632091-005	632091-008	632091-007
10	CONTROLLER	979314-023	979314-024	979314-022	979314-021
09	SWITCH	988763-001	988763-001	988763-001	988763-001
11	LIGHT RECEPT. HARNESS	988764-003	988764-003	988764-003	988764-003
	1 SPEED SURPRESSED -----				
03	LIGHT COMPLETE				
12	LIGHT SOCKET				
21	MOTOR COMPLETE				
22	SERIES MOTOR MODULE				
26	COMMUTATOR END				
10	CONTROLLER				
09	SWITCH				
11	LIGHT RECEPT. HARNESS				

From the library of: Diamond Needle Corp

ELECTRICAL EQUIPMENT

		ASIA & AFRICA & SOUTH AMERICA	ASIA & AFRICA & SOUTH AMERICA	AMEDO	AMEDO
REF.	1 SPEED UNSURPRESSED	ROUND PIN (220V)	ROUND PIN (120V)	ROUND PIN (220V)	(120V)
----	-----	-----	-----	-----	-----
03	LIGHT COMPLETE	----	----	----	----
12	LIGHT SOCKET	362001-007	362001-007	362001-007	362001-007
21	MOTOR COMPLETE	362090-005	362090-004	362090-008	362090-007
22	SERIES MOTOR MODULE	988752-004	988752-P03	988752-P05	988752-P03
26	COMMUTATOR END	362091-005	362091-004	362091-008	362091-007
10	CONTROLLER	979314-022	979314-021	979314-024	979314-023
09	SWITCH	988763-001	988763-001	988763-001	988763-001
11	LIGHT RECEPT. HARNESS	988764-003	988764-003	988764-003	988764-003
	1 SPEED SURPRESSED				

03	LIGHT COMPLETE				
12	LIGHT SOCKET				
21	MOTOR COMPLETE				
22	SERIES MOTOR MODULE				
26	COMMUTATOR END				
10	CONTROLLER				
09	SWITCH				
11	LIGHT RECEPT. HARNESS				

From the library of: Diamond Needle Corp